

# Spare Parts Catalog

*P/N 1-960493-00  
Edition 1  
November 2000*

# EasyCoder C4 Bar Code Label Printer

 **intermec**  
Technologies Corporation

---

A **UNOVA** Company

# Introduction

## Contents

<b>1. Introduction</b>	Contents.....	1
	Spare Parts Policy .....	2
	General View.....	3
<b>2. Spare Parts</b>	Bottom Cover.....	4
	Main Board .....	5
	Base Frame.....	6
	Platen Roller.....	7
	Peel-Off Mechanism .....	8
	Motor Kit.....	9
	Media Guide Kit.....	10
	Base Lock Kit.....	11
	Sensor Kit.....	12
	Media Spindle .....	13
	Printhead Kit .....	14
	Print Frame (Direct Thermal).....	15
	Print Frame (Thermal Transfer) .....	16
	Lock Kits.....	17
	Top Cover .....	18
	Power Supply .....	19
	Memory Cartridge.....	20
	Miscellaneous.....	21

*Intermec EasyCoder C4  
Spare Parts Catalog  
Edition 1, November 2000  
Part No. 1-960493-00*

*© Copyright Intermec Printer AB, 1999. All rights reserved.  
Published in Sweden.  
EasyCoder and Fingerprint are registered trademarks of  
Intermec Technologies Corp.*

## Spare Parts Policy

This Spare Parts Catalog contains information on items presently available as spare parts and accessories for the Intermec Easy-Coder C4 printer model.

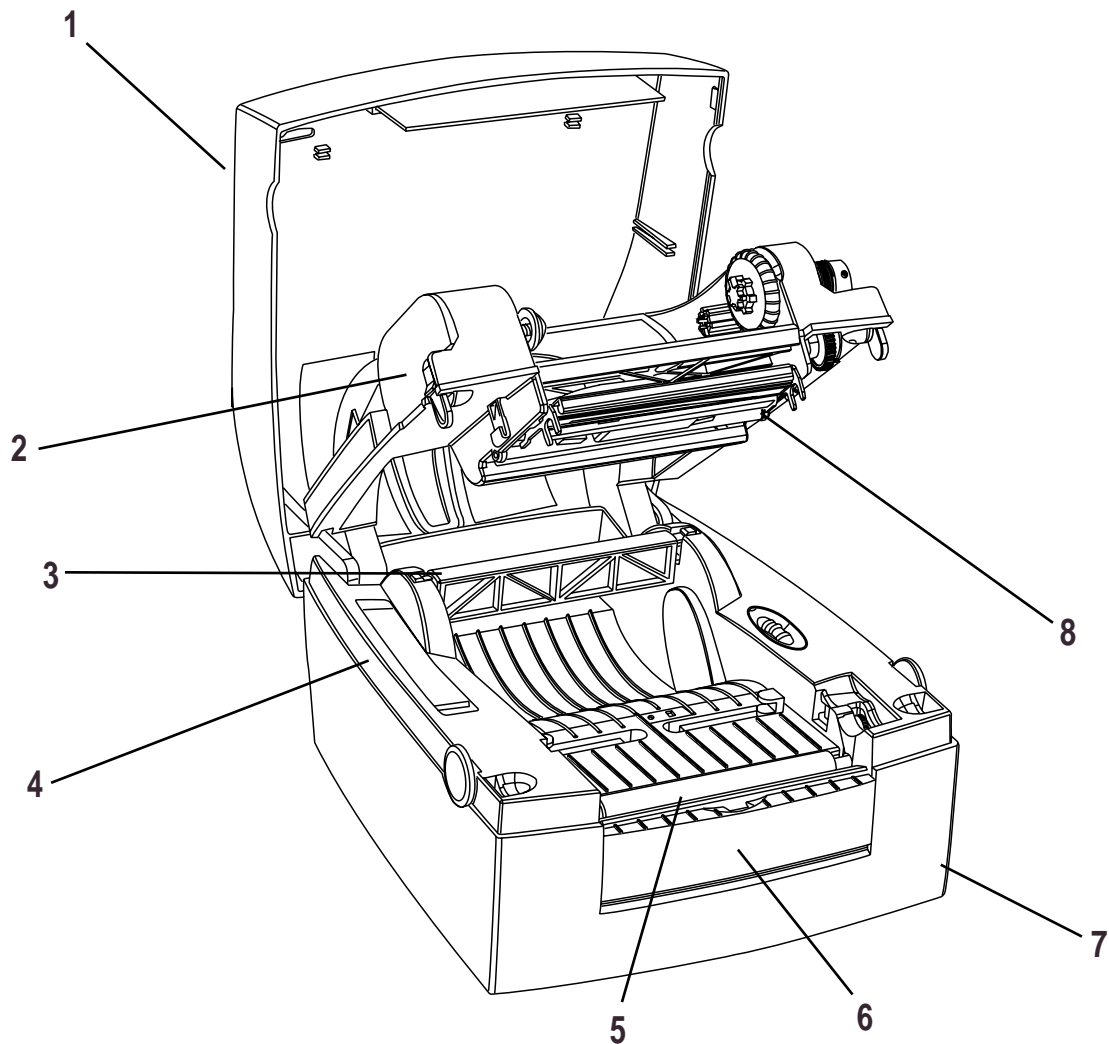
You will notice that, as a rule, we supply only assembled spare parts. Our policy is based on the conviction that this is a more rational way of stocking spares and supplying adequate service as well.

For further information about parts not listed in this volume, please contact our Spare Parts Sales Department.

Information in this manual is subject to change without prior notice and does not represent a commitment on the part of Intermec.

**For updated information,  
please refer to the latest edition  
of the Spare Parts Price List.**

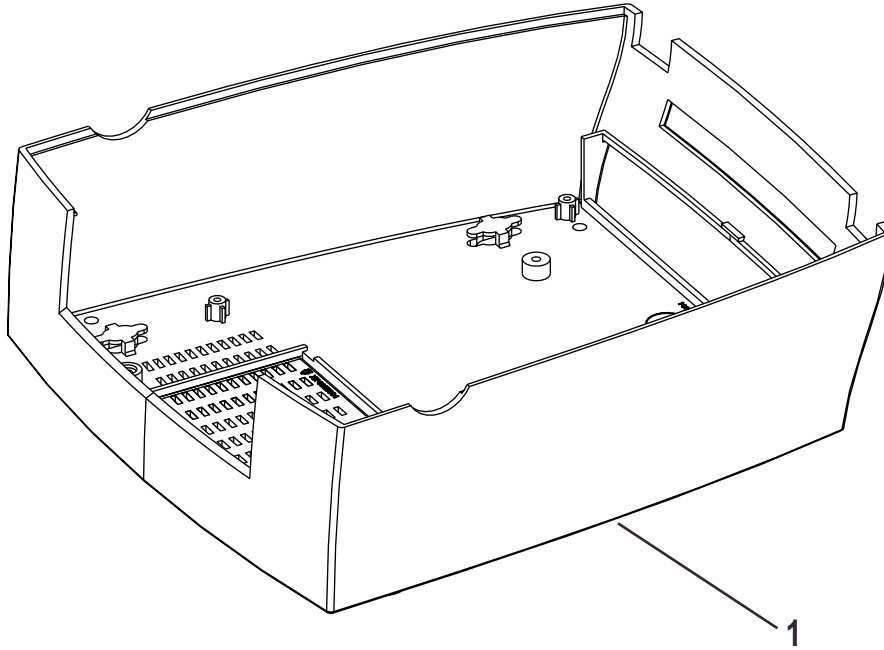
## General View



Pos.	Description	Remarks
1	Top Cover	See page 18
2	Print Frame (DT & TT)	See pages 15-17
3	Media Spindle	See page 13
4	Base Frame	See pages 6, 9-12
5	Platen Roller	See page 7
6	Peel-Off Mechanism	See page 8
7	Bottom Cover	See page 4
8	Printhead Kit	See page 14
-	Main Board	See page 5
-	Power Supply	See page 19
-	Memory Cartridge (option)	See page 20
-	Miscellaneous	See page 21

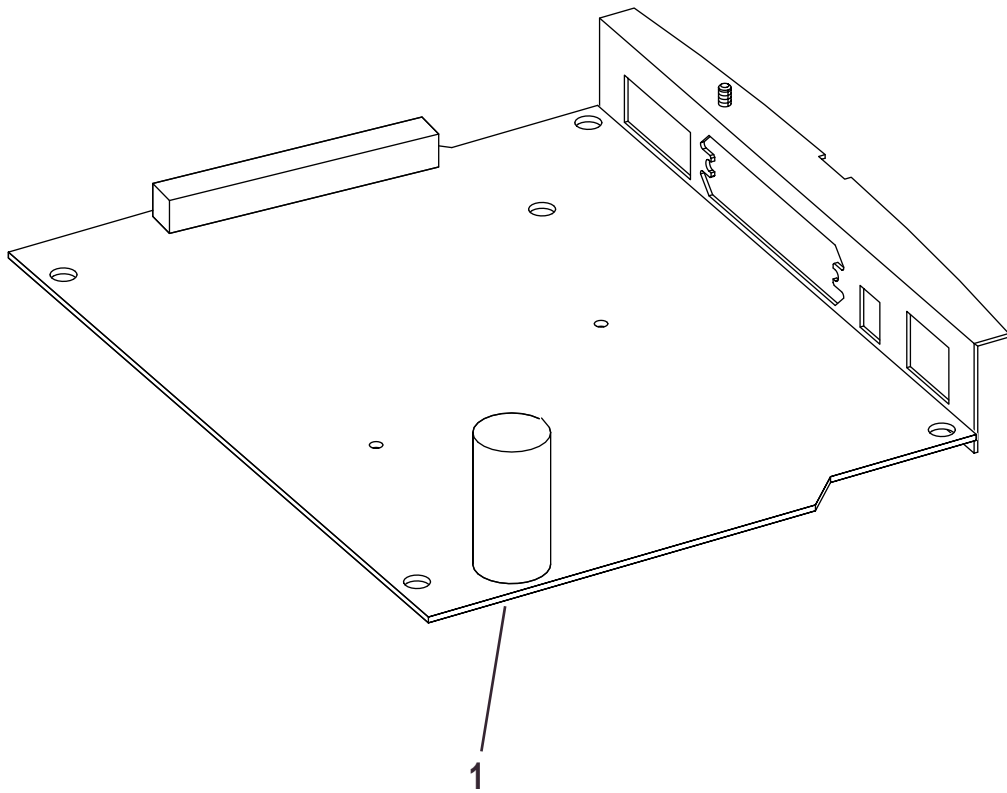
# Spare Parts

## Bottom Cover



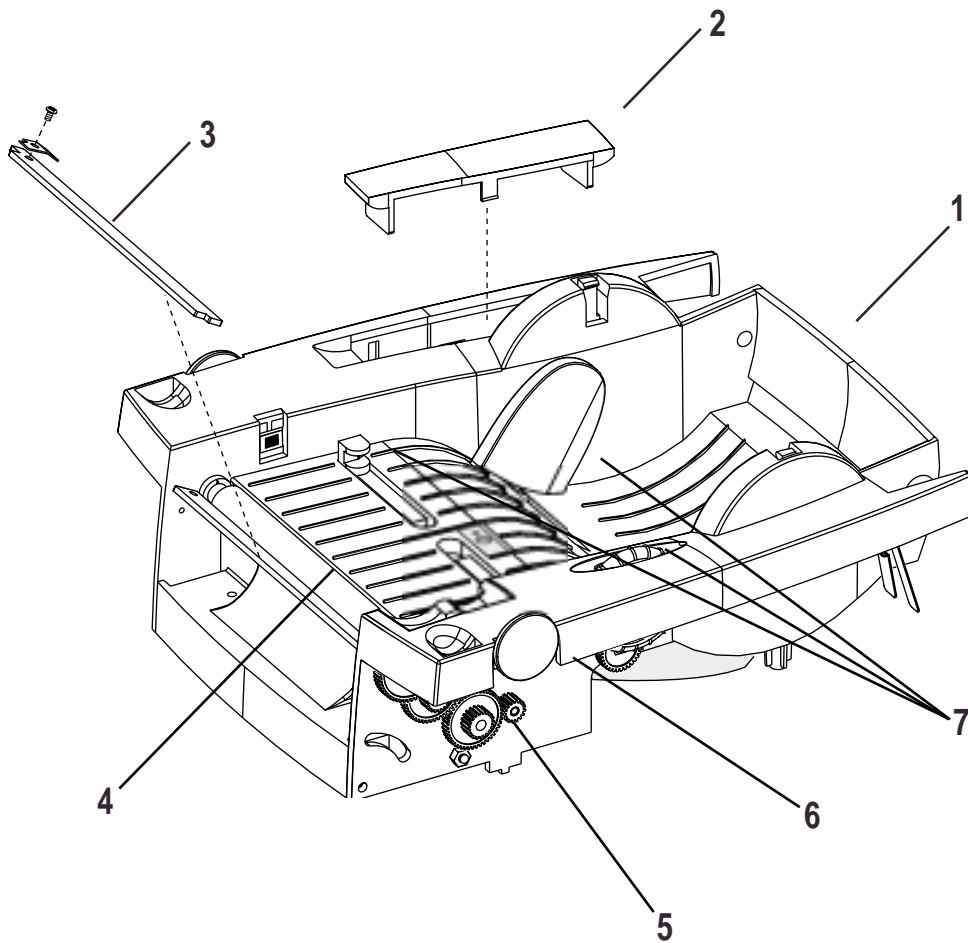
Pos.	Part No.	Description	Remarks
1	1-092201-90	Bottom Cover assy	Includes 1 bottom case, 1 accessory cover, 4 rubber feet, and 4 taps.

## Main Board



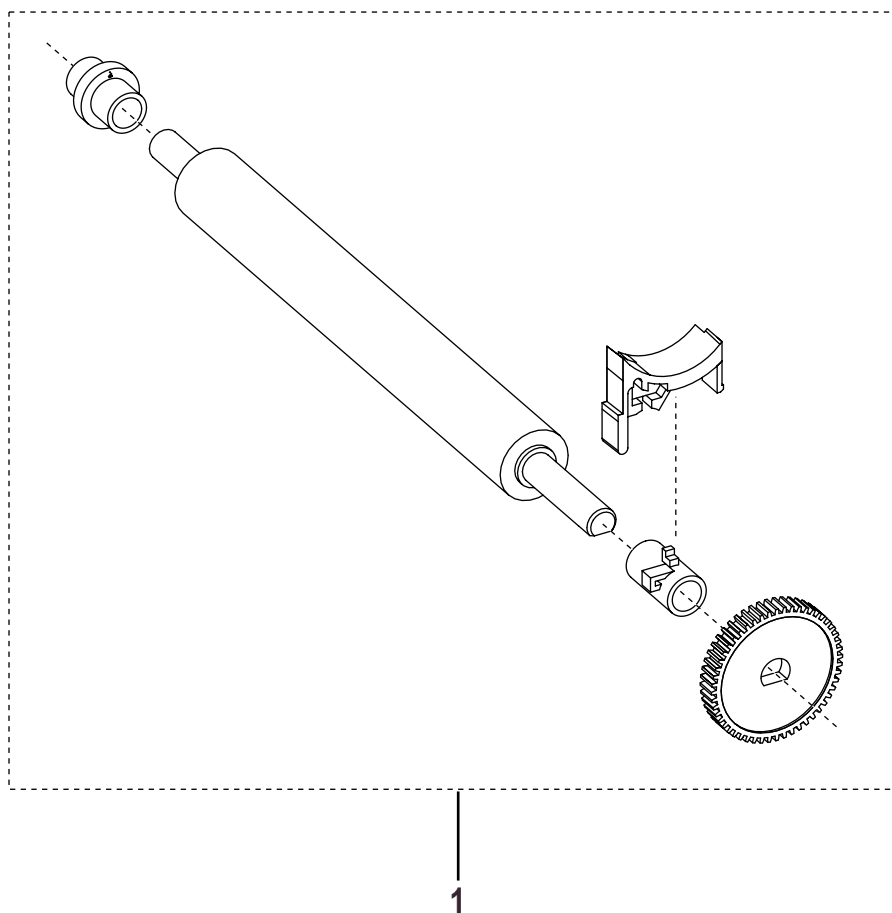
Pos.	Part No.	Description	Remarks
1	1-971680-40	Main Board assy.	Simplified drawing

## Base Frame



Pos.	Part No.	Description	Remarks
1	1-092101-90	Base Frame assy.	Incl. peel-off bar and memory blind plate
2	1-092220-00	Memory Blind Plate	
3	1-092234-90	Peel-Off Bar assy.	Incl. ESD spring
4	1-092212-90	Platen Roller assy.	See page 7
5	1-092109-90	Motor Kit	See page 9
6	1-092107-90	Base Lock Kit	See page 11
7	1-092215-90	Media Guide Kit	See page 10

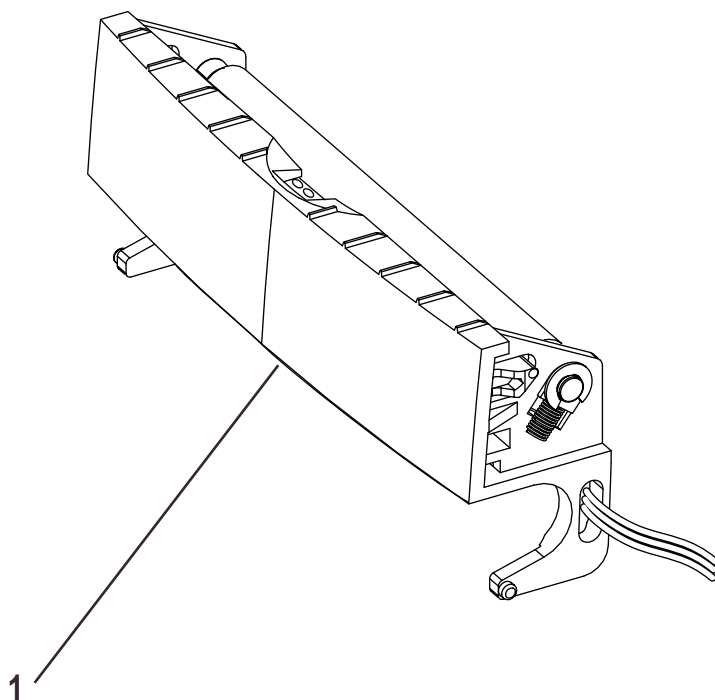
## Platen Roller



Pos.	Part No.	Description	Remarks
1	1-092212-90	Platen Roller assy.	Incl. platen, 2 bushings, platen cover, and gear.

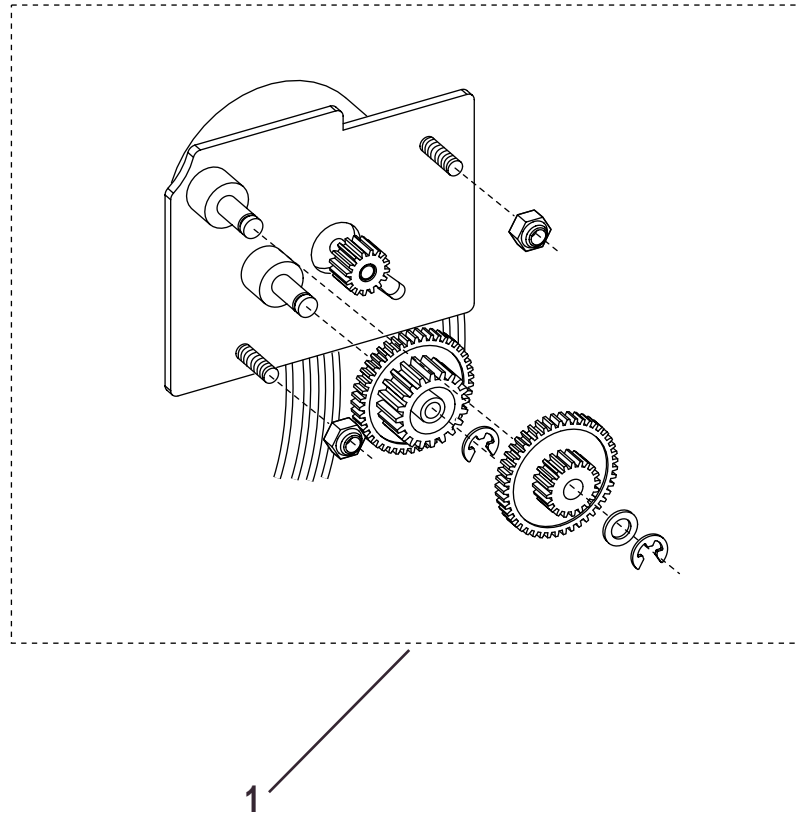


## Peel-Off Mechanism



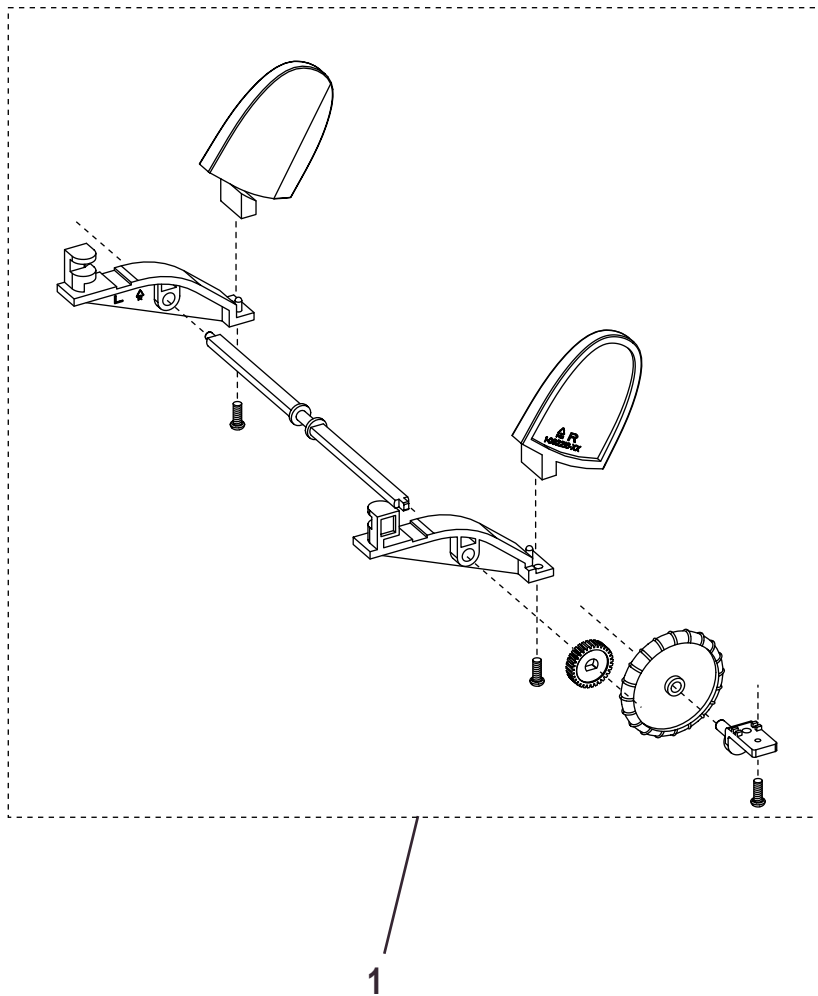
Pos.	Part No.	Description	Remarks
1	1-092104-90	Peel-Off Mechanism assy	Complete unit incl. sensor.

## Motor Kit



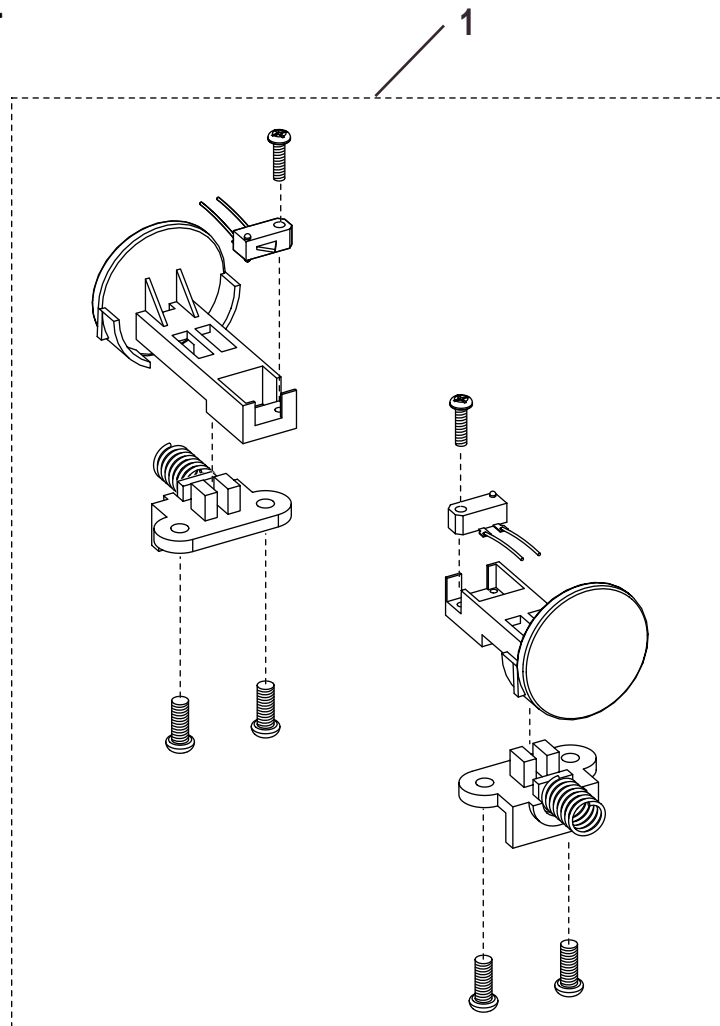
Pos.	Part No.	Description	Remarks
1	1-092109-90	Motor Kit	Incl. 1 stepper motor assy with bracket, thermistor, and cables, 2 gears, 1 washer, 2 E-rings, and 2 self-locking nuts

## Media Guide Kit



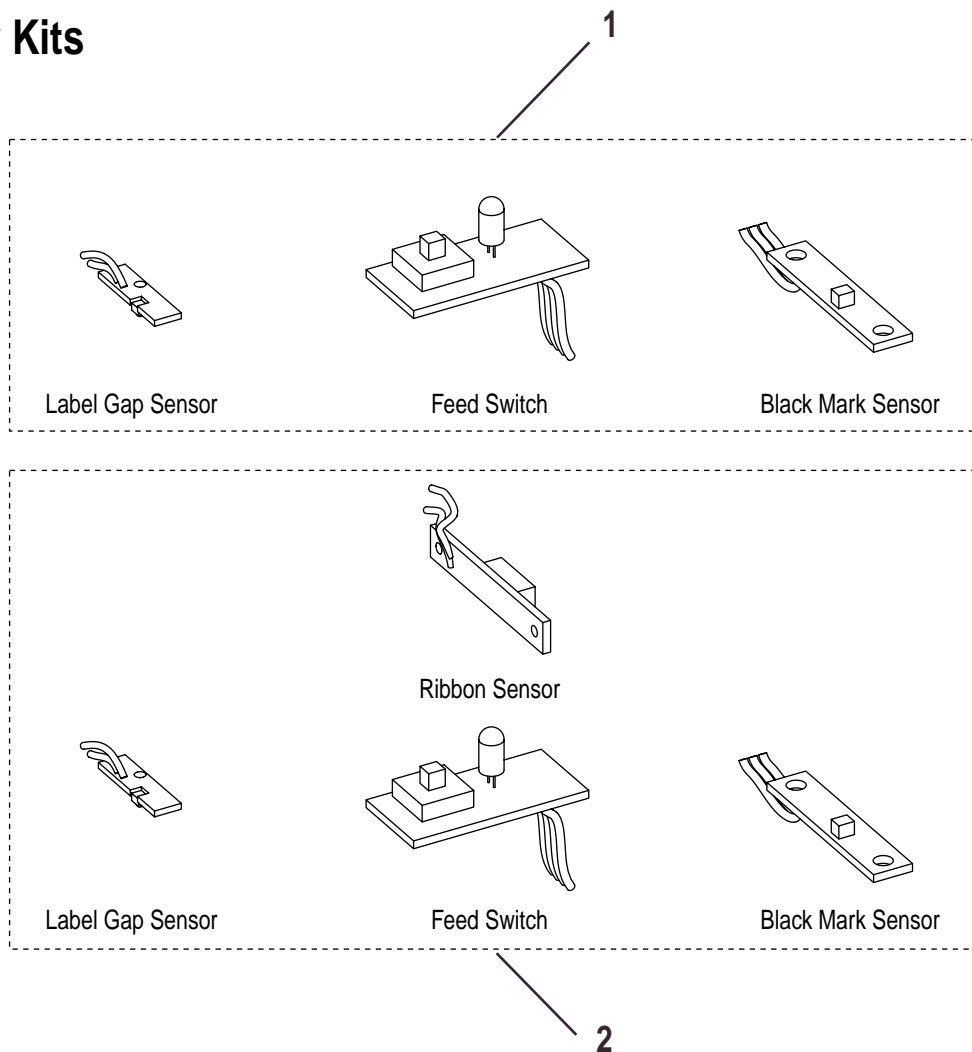
Pos.	Part No.	Description	Remarks
1	1-092215-90	Media Guide Kit	Incl. 2 label stoppers, 2 label guides, 1 worm rod, 1 gear, 1 label adjust knob, and 3 screws.

## Base Lock Kit



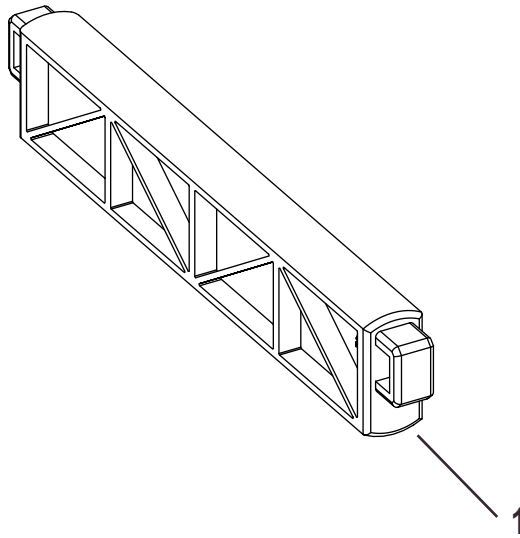
Pos.	Part No.	Description	Remarks
1	1-092107-90	Base Lock Kit	Incl. all illustrated parts

## Sensor Kits



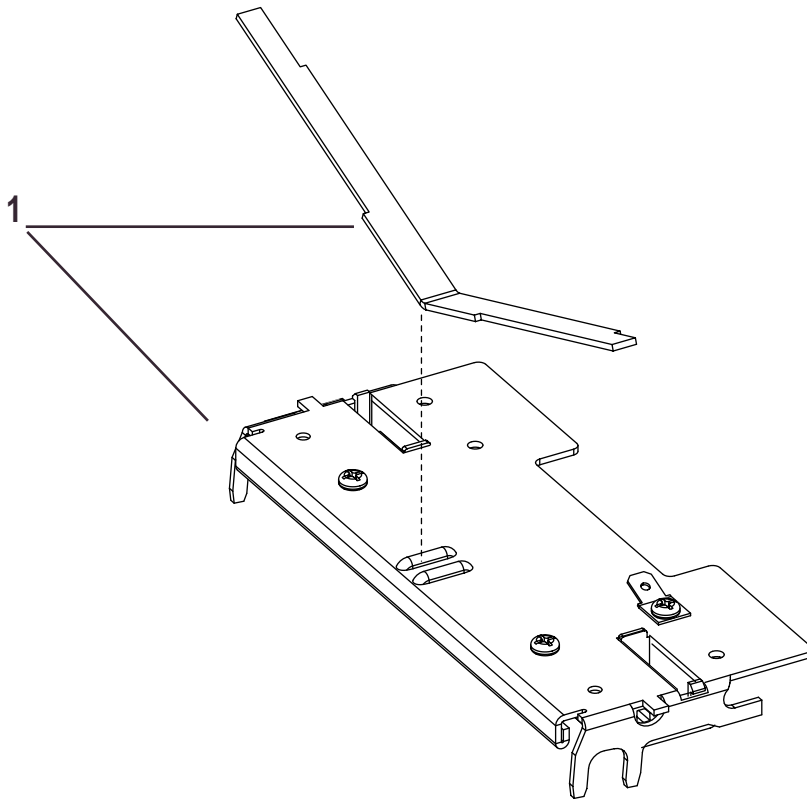
Pos.	Part No.	Description	Remarks
1	<b>1-092085-90</b>	Sensor Kit (direct thermal model)	Incl. 3 printhead cables
2	<b>1-092085-95</b>	Sensor Kit (thermal transfer model)	Incl. 3 printhead cables

## Media Spindle



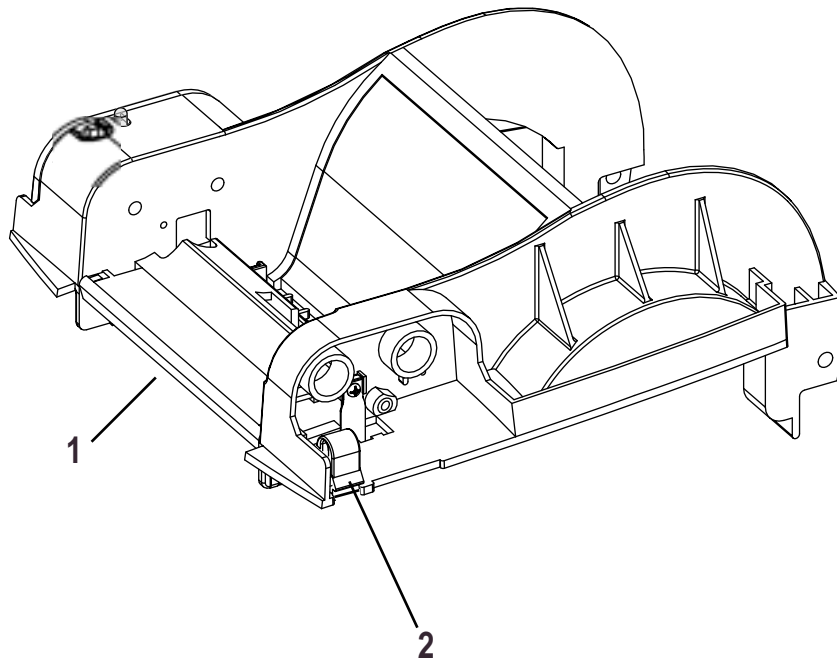
Pos.	Part No.	Description	Remarks
1	1-092204-00	Media Spindle	

## Printhead Kit



Pos.	Part No.	Description	Remarks
1	1-092106-90	Printhead Kit assy.	Incl. printhead, bracket, printhead cover, V-blade, GND terminal, and screws

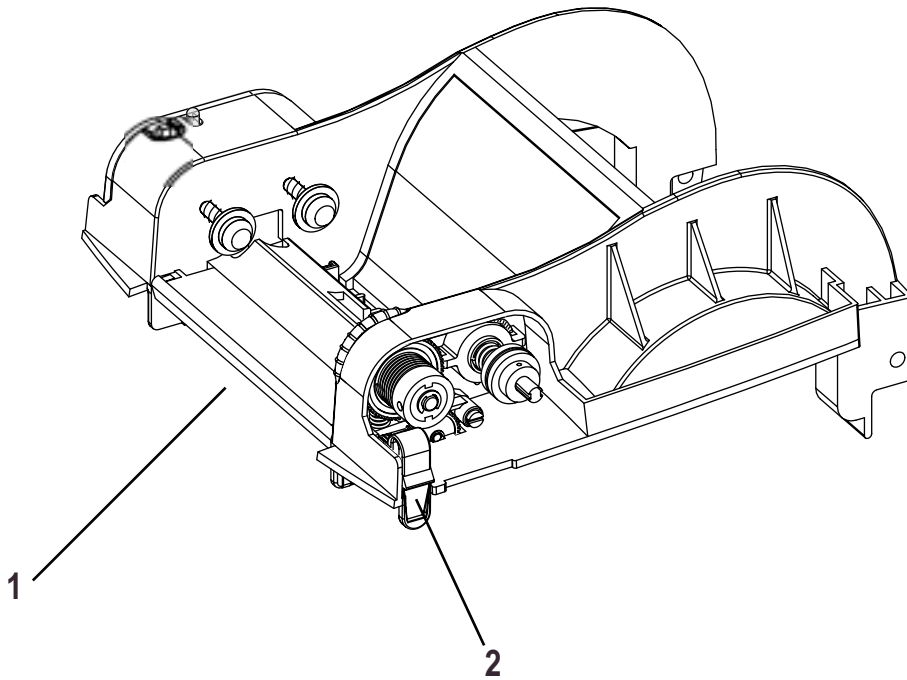
## Print Frame (Direct Thermal)



Pos.	Part No.	Description	Remarks
1	1-092241-90	Print Frame DT assy.	Excl. printhead assy. See page 17
2	1-092290-90	DT Lock Kit	

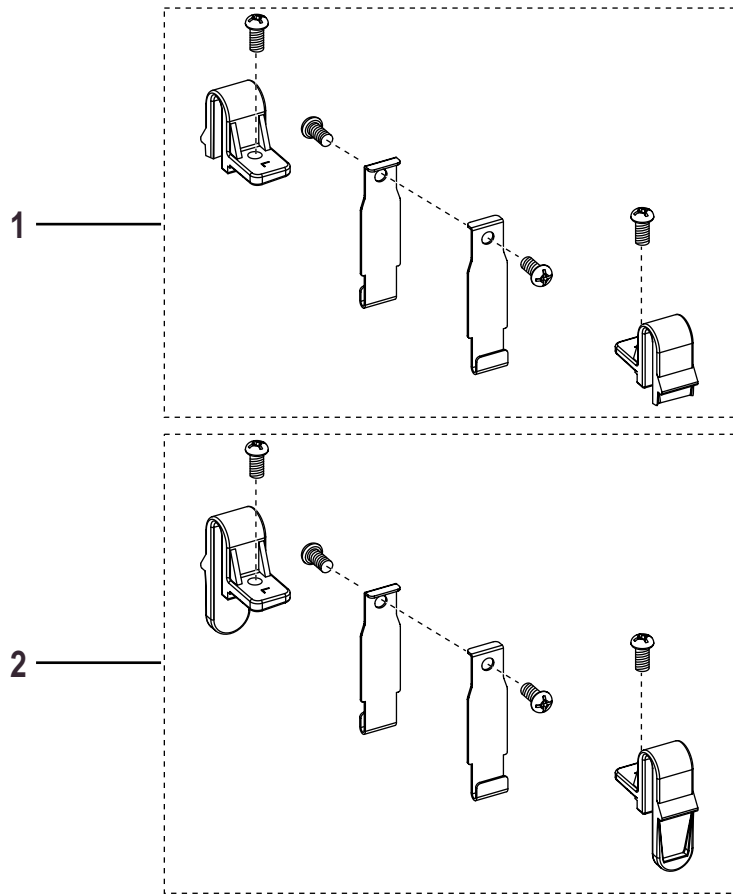


## Print Frame (Thermal Transfer)



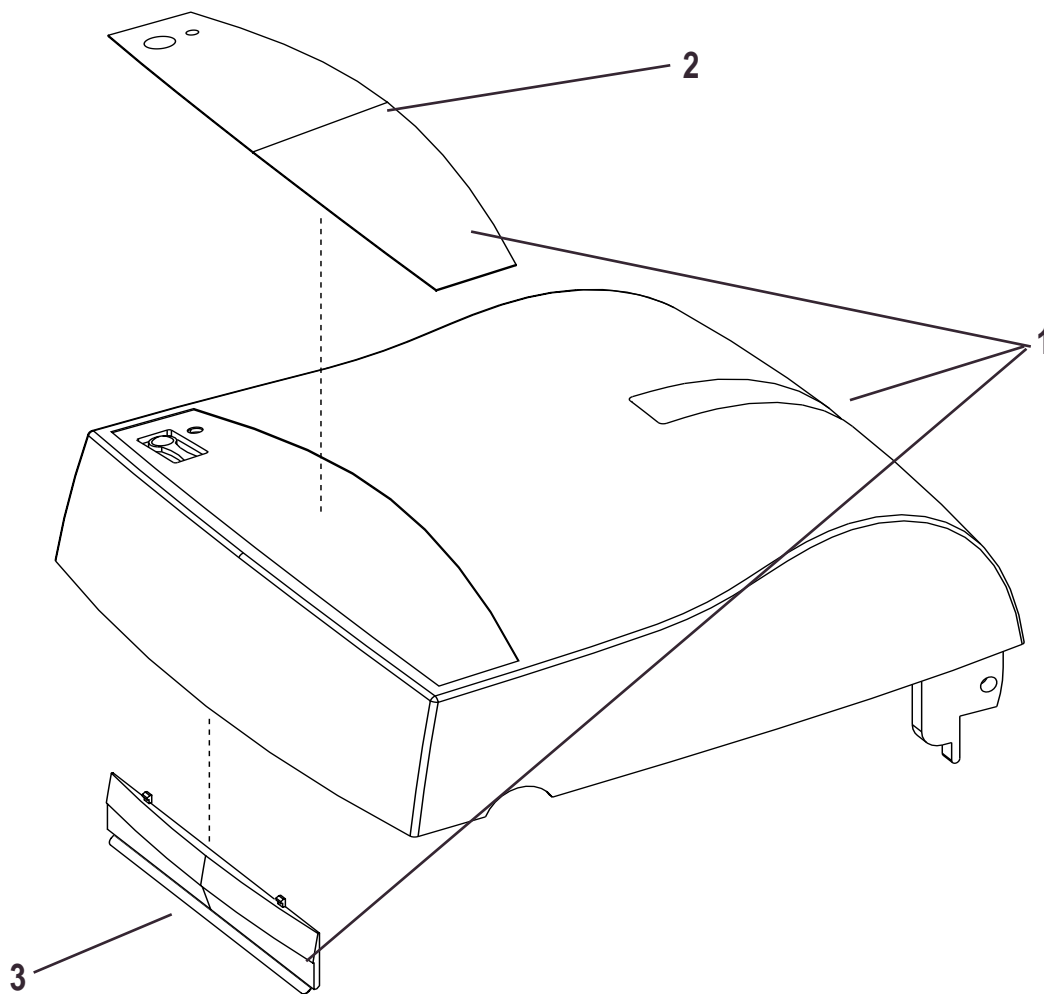
Pos.	Part No.	Description	Remarks
1	1-092102-90	Print Frame TT assy.	Excl. printhead assy. See page 17
2	1-092243-90	TT Lock Kit	

## Lock Kits



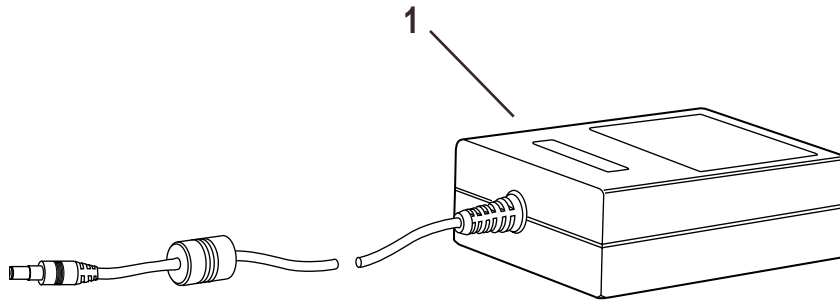
Pos.	Part No.	Description	Remarks
1	1-092290-90	DT Lock Kit	
2	1-092243-90	TT Lock Kit	

## Top Cover



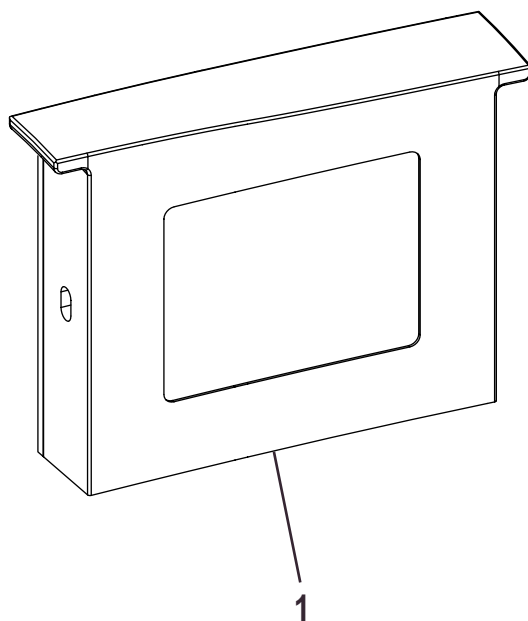
Pos.	Part No.	Description	Remarks
1	<b>1-092200-90</b>	Top Cover assy.	Incl. 1 top cover, 1 plastic window, 1 tear-off plate assy, 1 name plate, and 1 set of media load labels.
2	<b>1-092208-00</b>	Name Plate (Intermec EasyCoder C4)	
3	<b>1-092203-00</b>	Tear-Off Plate assy.	

## Power Supply



Pos.	Part No.	Description	Remarks
1	1-092515-00	Switching Power Supply	Excl. AC power cord

## Memory Cartridge



Pos.	Part No.	Description	Remarks
1	1-092103-00	Memory Cartridge assy.	256K SRAM + 1MB Flash

**Miscellaneous (not illustrated)**

Pos.	Part No.	Description	Remarks
-	1-975583-18	Parallel Cable	
-	1-975584-00	Serial Cable	
-	1-110501-00	Cleaning Cards	25-pack
-	1-092511-90	Empty Ribbon Core	10-pack

