

Spare Parts & Options

P/N 1-960328-07
Edition 8
November 1998



EasyCoder 501 Bar Code Label Printer

 **ntermec**
Technologies Corporation

A **UNOVA** Company

Intermec EasyCoder 501 – Spare Parts & Options

CONTENTS

Description	Page
Contents	1
Spare Parts Policy	2
General View	3
Keyboard	4
Bottom Plate	5
Printer Unit (Standard DT/TT model)	6
Ribbon Unwind Unit	7
Ribbon Rewind Unit	8
Ribbon End Sensor	9
Paper Supply Spool	10
Bobbin Adapter	11
Paper Roll Retainer	12
Label Slack Absorber	13
Guide Shaft	14
Paper Rewind Device	15
Rewind Guide Plate	16
CPU Board	17
Transformer Unit	18
Dual Serial Interface Kit	19
Parallel Interface Kit	20
RS 422/485 Serial Interface Kit	21
Industrial Interface Kit	22
Memory Card Adapter Kit	23
Label-Taken Sensor Kit	24
Sensor Kit (Paper Low/Ribbon Low)	25
Paper Cutter Kit	26
Fan-Fold Guides	27
Right-Hand Door w. Inspection Window	28
Printhead Unit (Ribbon Save)	29
Headlift Mechanism (Ribbon Save)	30
Lifting Appliance (Ribbon Save)	31
Ribbon Rewind Unit (Ribbon Save)	32
Miscellaneous (cables, cleaning card, etc.)	33

*Intermec EasyCoder 501
Spare Parts & Options
Edition 8, November 1998
Part No. 1-960328-07*

*© Copyright Intermec Printer AB, 1998. All rights reserved.
Published in Sweden.*

EasyCoder is a registered trademark of Intermec Technologies Corp.

Intermec EasyCoder 501 – Spare Parts & Options

SPARE PARTS POLICY

This Spare Parts & Options catalogue contains information on items presently available as spare parts and accessories for the various *Intermec EasyCoder 501* printer models.

You will notice that, as a rule, we supply only assembled spare parts. Our policy is based on the conviction that this is a more rational way of stocking spares and supplying adequate service as well.

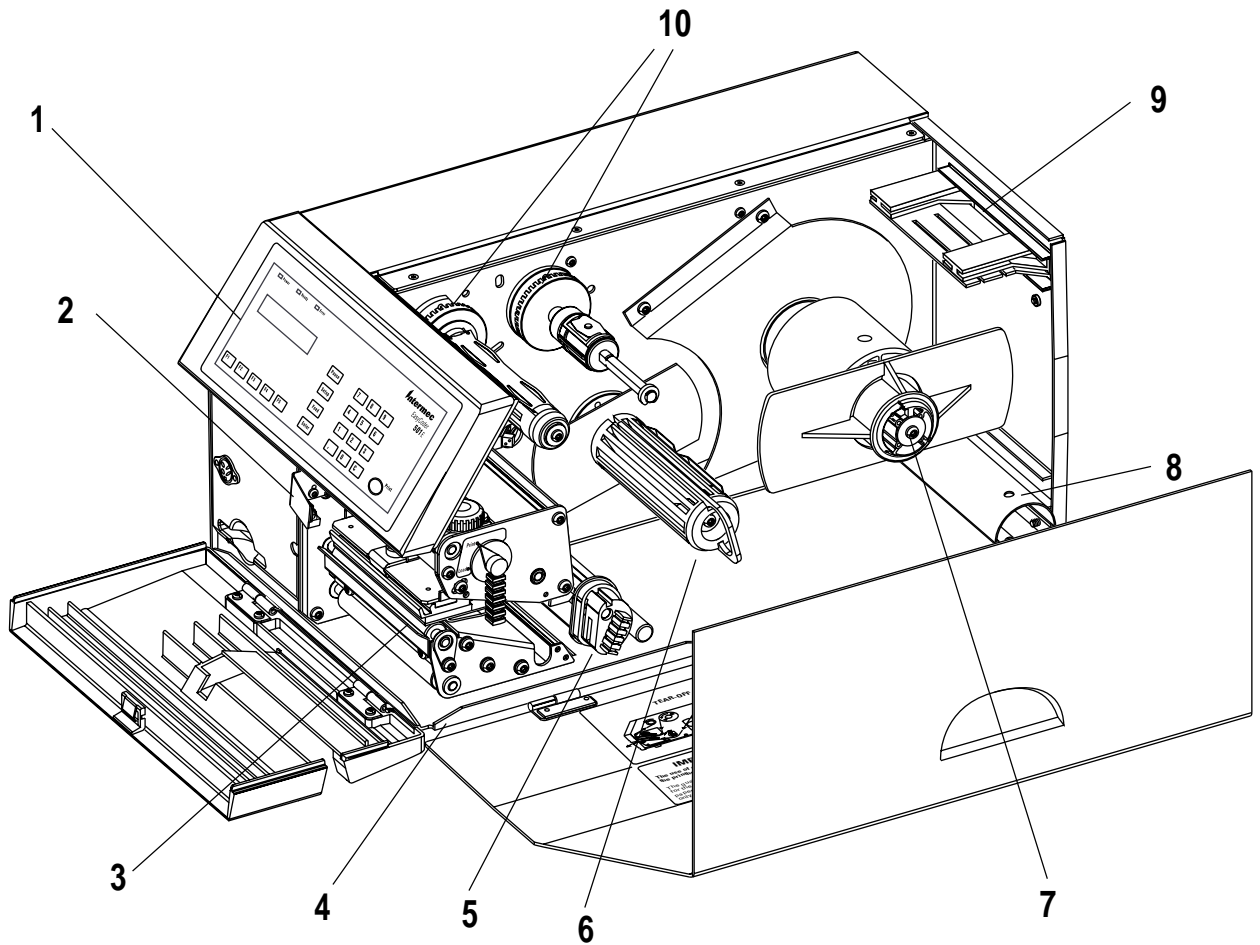
For further information about parts not listed in this volume, please contact our Spare Parts Sales Department.

Information in this manual is subject to change without prior notice and does not represent a commitment on the part of *Intermec*.

**For updated information,
please refer to the latest edition
of the Spare Parts Price List.**

Intermec EasyCoder 501 – Spare Parts & Options

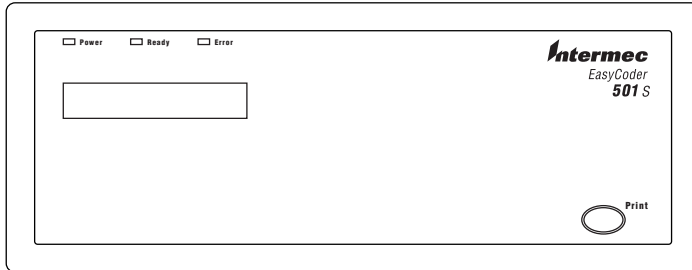
GENERAL VIEW



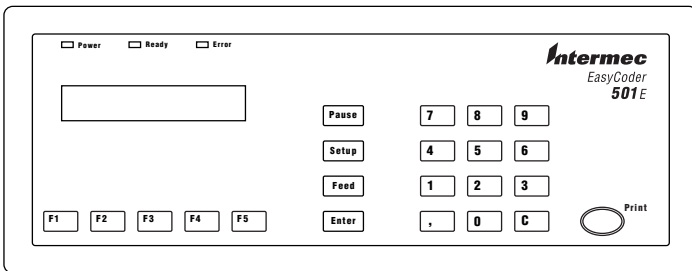
Pos.	Part No.	Description	Remarks
1	–	Keyboard	See page 4
2	1-040559-00	Label-Taken Sensor	See page 24
3	–	Printer Unit (Std DT/TT Model)	See page 6
4	–	Bottom Plate	See page 5
5	–	Label Slack Absorber/Guide Shaft	See pages 13–14
6	–	Paper Rewind Device	See page 15
7	–	Paper Supply Spool with accessories	See pages 10–12
8	1-040253-01	Rewind Guide Plate	See page 16
9	1-040565-00	Fan Fold Guides	See page 27
10	–	Transfer Ribbon Mechanism	See pages 7–9
–	1-040700-90	CPU-board	See page 17
–	1-040066-02	Transformer Unit	See page 18
–	–	Interface Boards	See pages 19–22
–	–	Ribbon Save Device	See pages 29–32
–	–	Other Options	See pages 23, 25–26, 28
–	–	Miscellaneous	See page 33

Intermec EasyCoder 501 – Spare Parts & Options

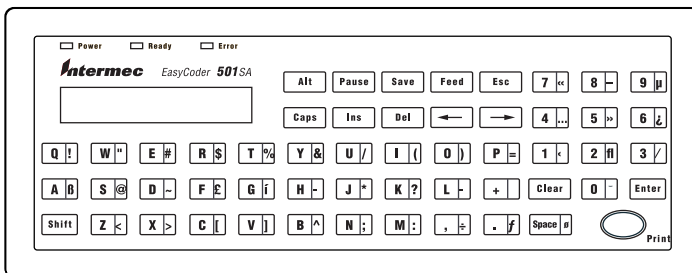
KEYBOARD



1



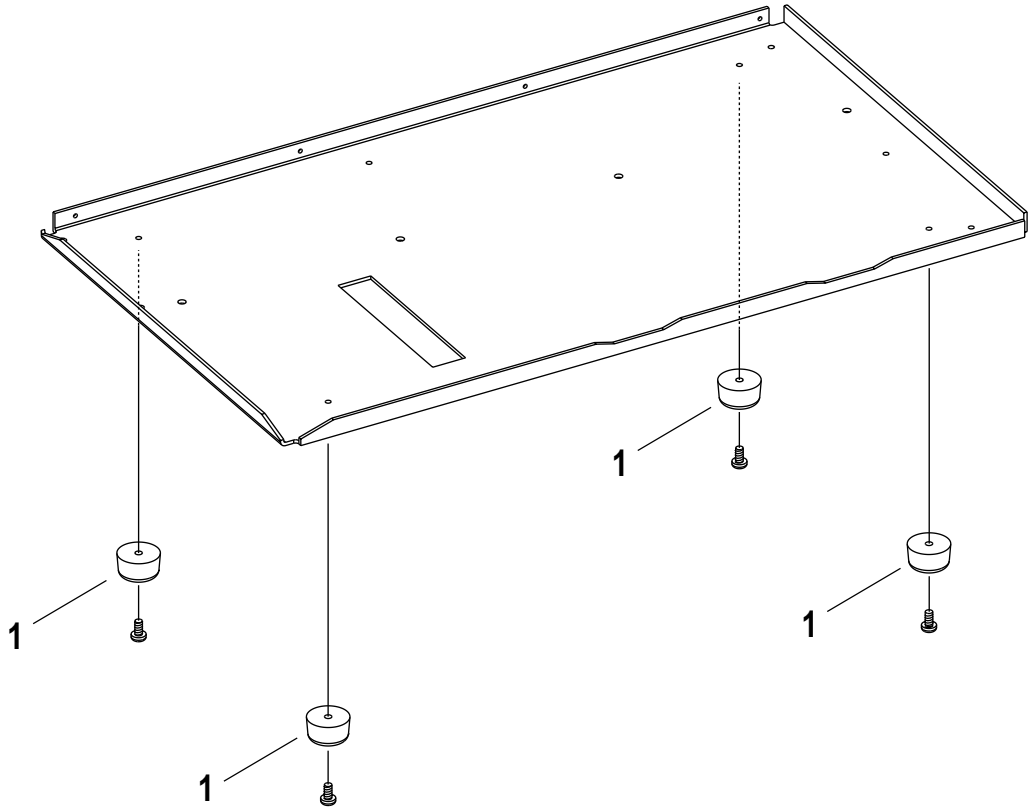
2



3

Pos.	Part No.	Description	Remarks
–	1-040067-95	Keyboard assy. excl. display and slide Keyboard, complete unit incl. keyboard, display board, plate, slide, screws and cable to CPU board. Three models with different slides:	
1	1-040337-90	Keyboard EasyCoder 501 S	
2	1-040337-92	Keyboard EasyCoder 501 E	
3	1-040337-95	Keyboard EasyCoder 501 SA	

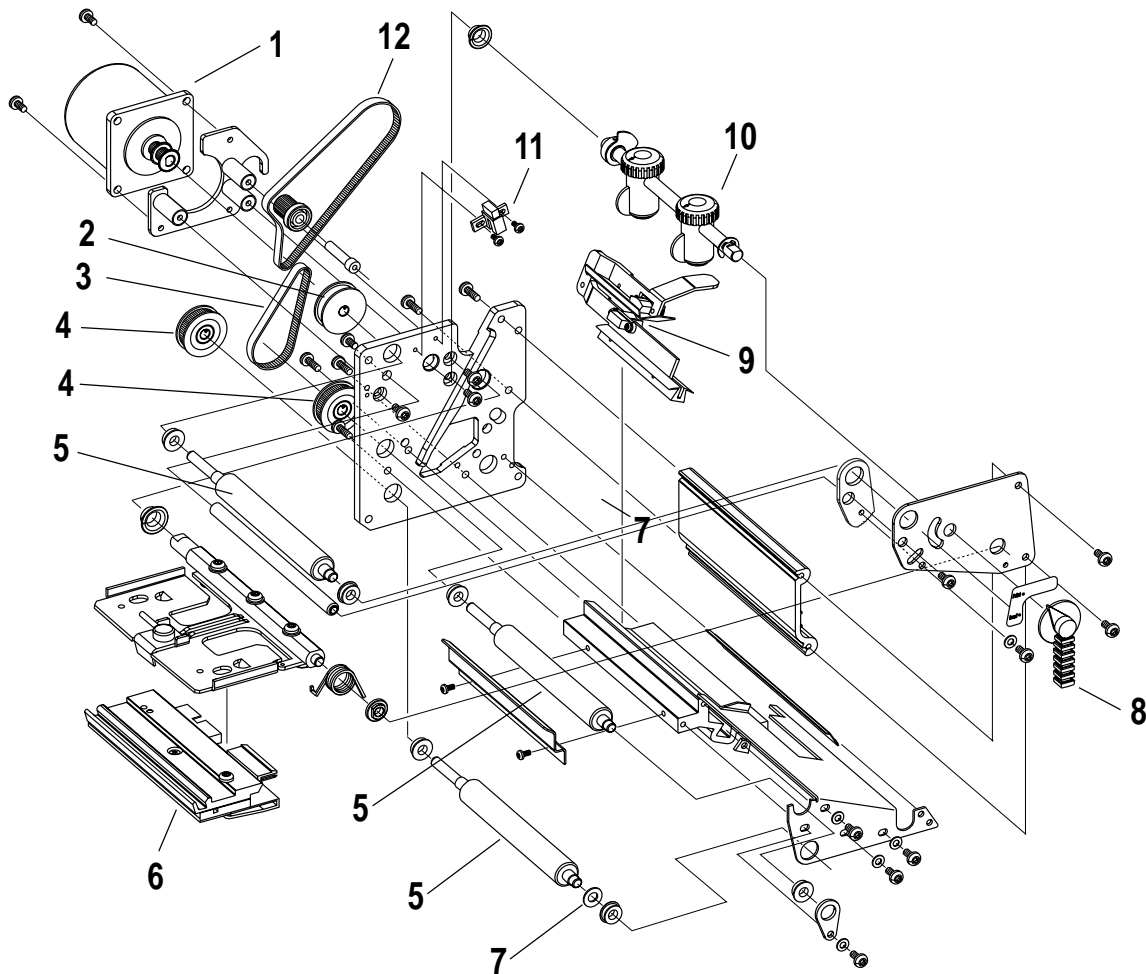
BOTTOM PLATE



Pos.	Part No.	Description	Remarks
1	1-992450-04	Rubber Foot Grey D23x13	Excl. screw

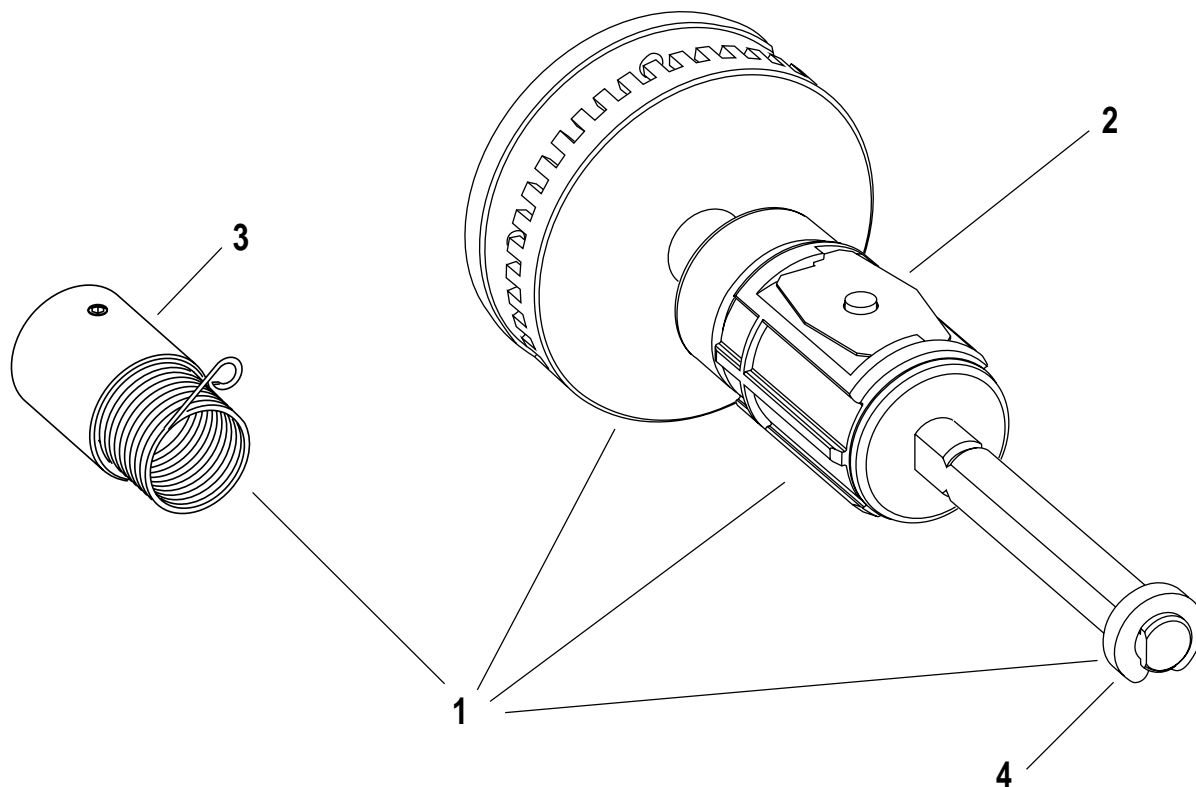
Intermec EasyCoder 501 – Spare Parts & Options

PRINTER UNIT (Standard DT/TT Model)



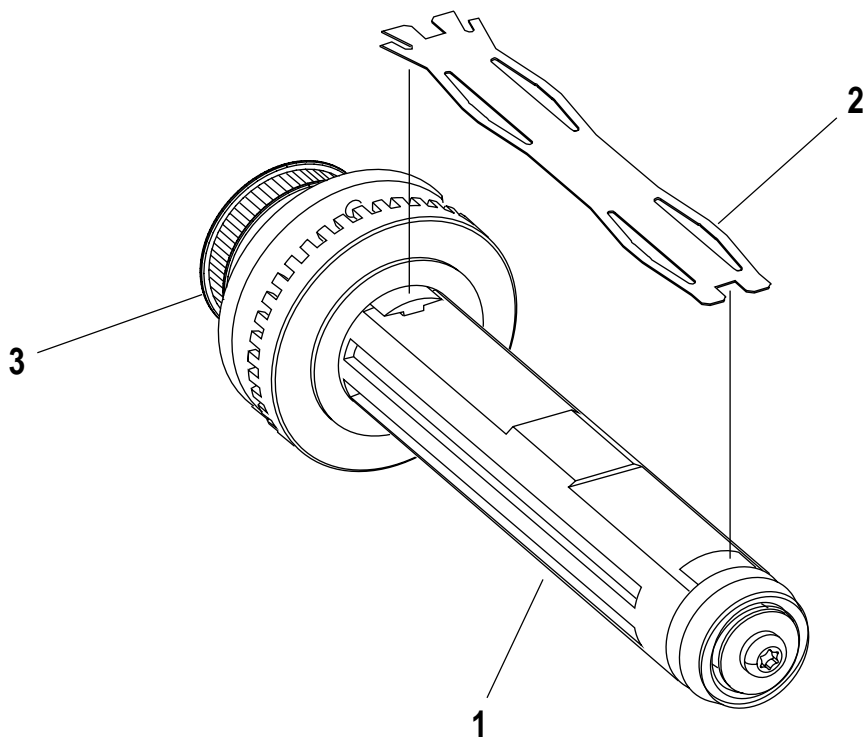
Pos.	Part No.	Description	Remarks
1	1-040111-91	Stepper Motor assy.	
2	1-040519-90	Tooth Belt Wheel assy.	
3	1-995101-20	Tooth Belt 608M XL025 T=76	
4	1-040100-02	Tooth Belt Wheel assy.	
5	1-040230-90	Pressing Roller/Ribbon Return Roller/ Rewind Roller assy.	Incl. 2 roller bearings
6	1-010010-93	Thermal Printhead (8 dots/mm = 203.2 dpi)	Complete w. adapter
6	1-010003-92	Thermal Printhead (11.81 dots/mm = 300 dpi)	Complete w. adapter
7	1-995010-20	Washer DB 6x12x1.0	
8	1-040213-00	Cam Handle	
9	1-040109-00	Label Stop Sensor assy.	Complete unit w cables
10	1-040138-20	Head Pressure assy.	Complete unit
11	1-975607-25	Reflecting Sensor assy.	Cable not shown
12	1-995101-81	Tooth Belt 1104MXL025 T=156	

RIBBON UNWIND UNIT



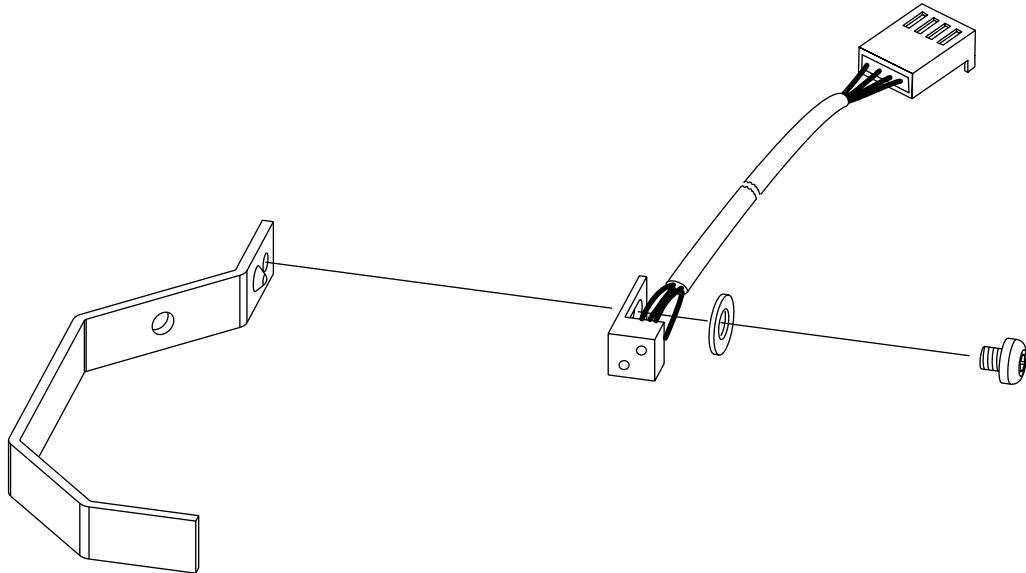
Pos.	Part No.	Description	Remarks
1	1-040073-97	Ribbon Unwind assy	Complete unit incl brake, pivot and fixer ring.
2	1-040157-00	Pivot assy.	
3	1-040176-00	Spring Brake assy.	
4	1-040448-00	Fixer Ring	

RIBBON REWIND UNIT



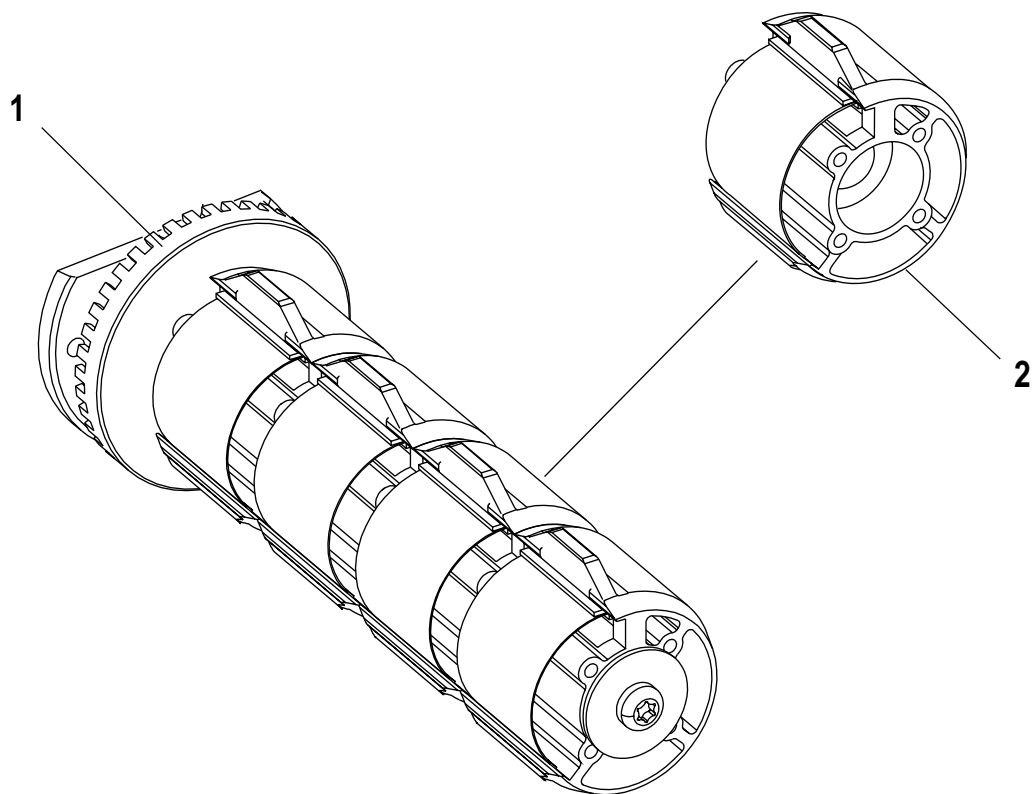
Pos.	Part No.	Description	Remarks
1	1-040065-97	Ribbon Rewind Unit assy.	Complete unit incl. gear wheel and bobbin plate
2	1-040443-11	Bobbin Plate	
3	1-040124-00	Gear Wheel assy.	

RIBBON END SENSOR



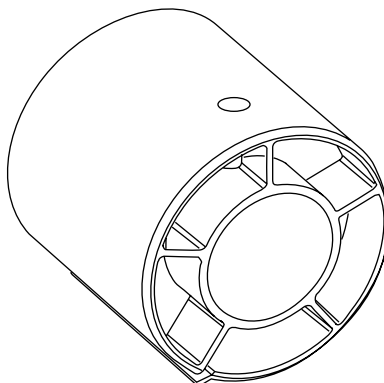
Pos.	Part No.	Description	Remarks
-	1-040074-00	Ribbon End Sensor assy.	Complete unit

PAPER SUPPLY SPOOL



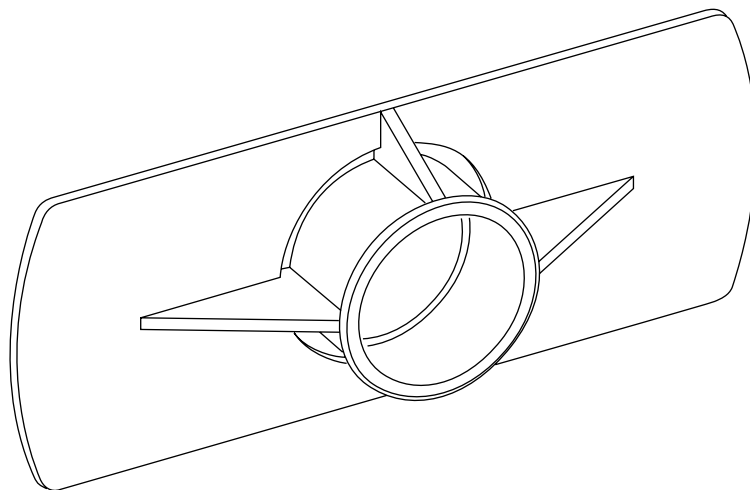
Pos.	Part No.	Description	Remarks
1	1-040060-02	Unwind Unit 4" (paper)	Complete unit
2	1-150166-00	Bobbin assy.	

BOBBIN ADAPTER



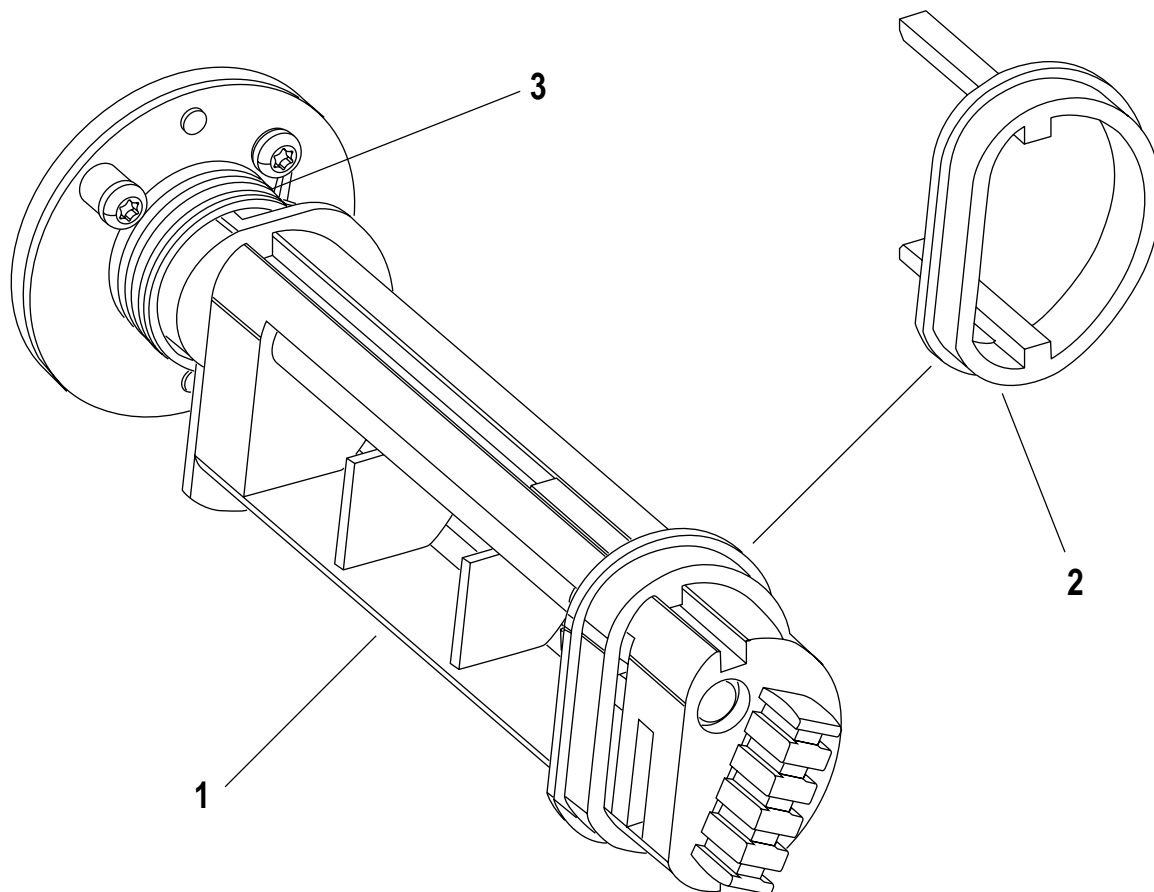
Pos.	Part No.	Description	Remarks
–	1-040327-52	Bobbin Adapter assy.	Ø 76 mm (3")

PAPER ROLL RETAINER



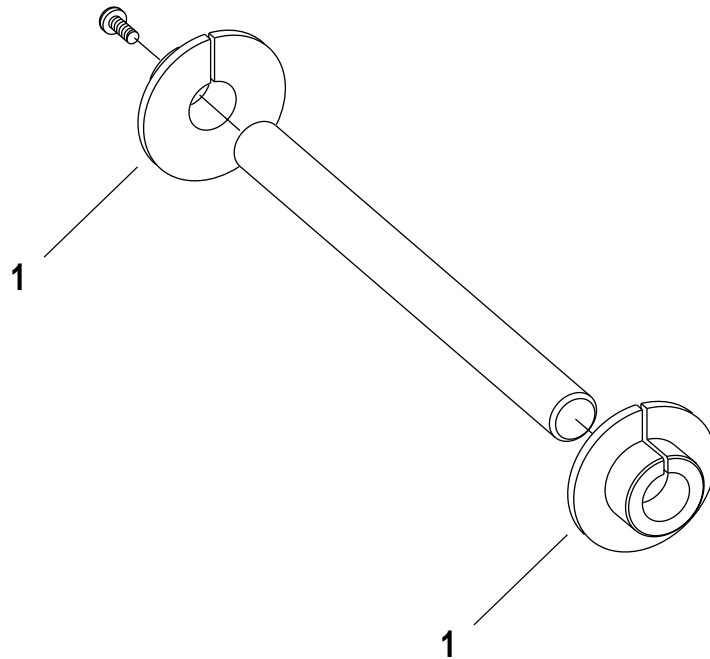
Pos.	Part No.	Description	Remarks
-	1-776290-00	Paper Roll Retainer	

LABEL SLACK ABSORBER



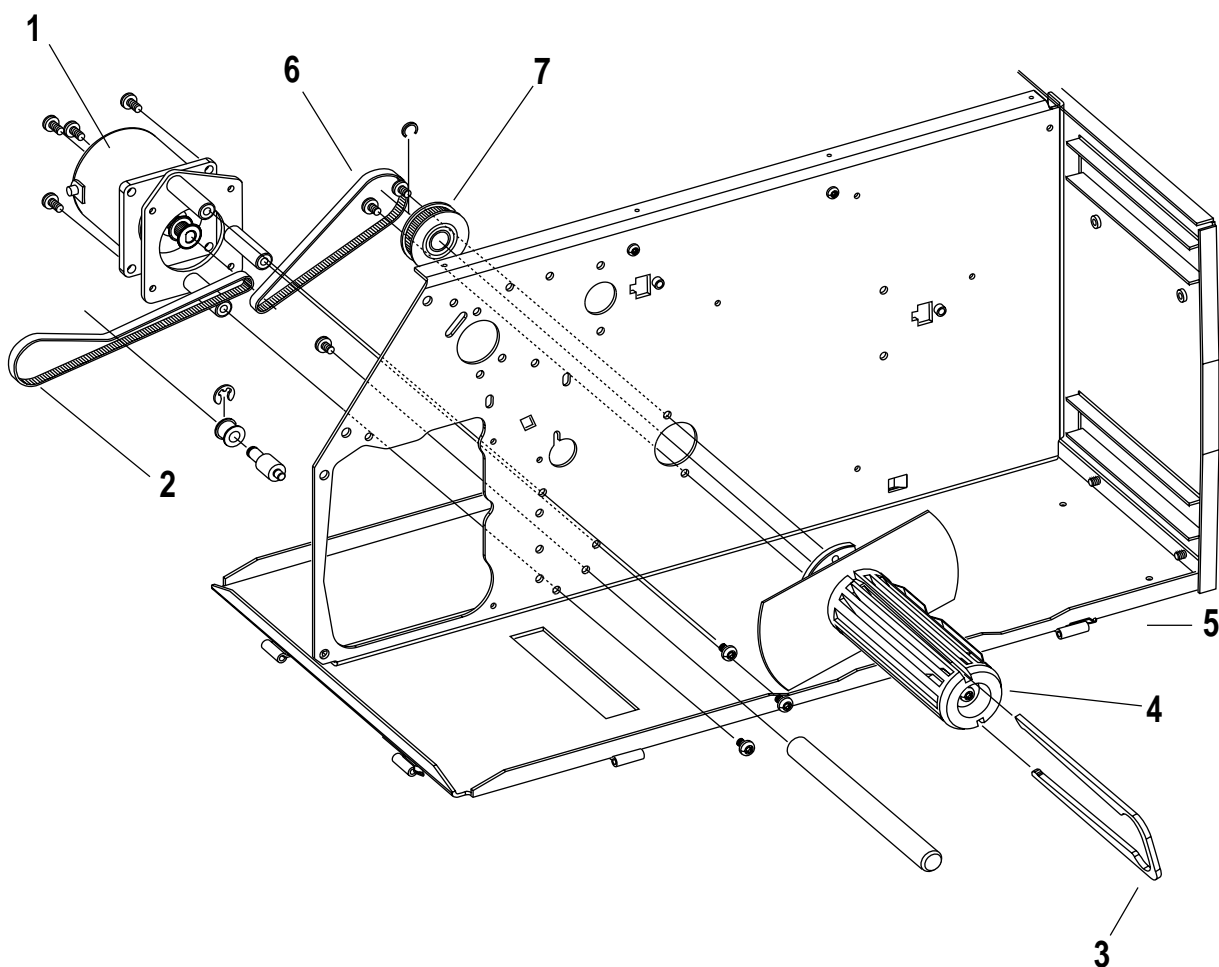
Pos.	Part No.	Description	Remarks
1	1-040061-90	Label Slack Absorber assy.	Complete unit
2	1-040329-00	Edge Guide	
3	1-040321-00	Spring	

GUIDE SHAFT



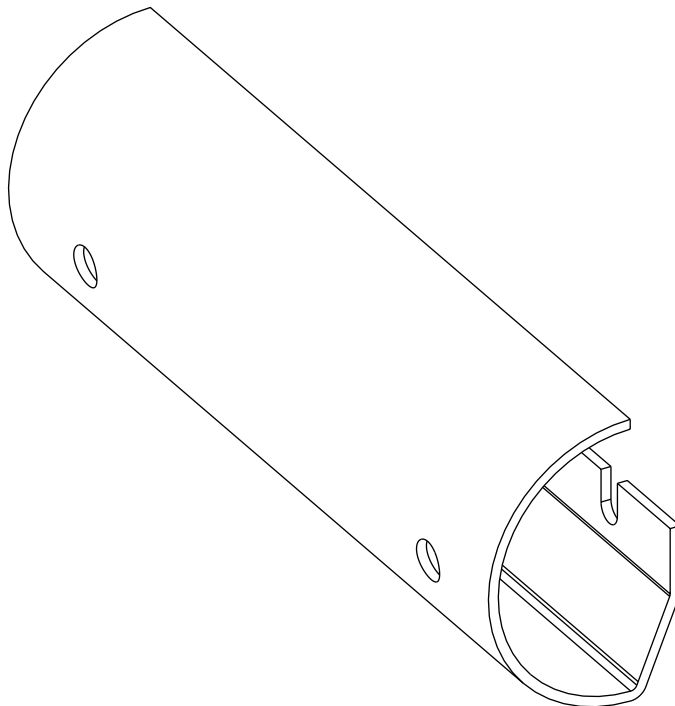
Pos.	Part No.	Description	Remarks
1	1-776238-10	Guide Washer	

PAPER REWIND DEVICE



Pos.	Part No.	Description	Remarks
1	1-040111-91	Stepper Motor assy.	Cable not shown
2	1-995101-80	Tooth Belt 1240MXL025 T=155	
3	1-040317-00	Brace	
4	1-040063-90	Paper Rewind Unit assy.	Incl. pulley, plate & brace
5	1-040335-01	Bobbin Plate (Paper Rewind)	
6	1-995101-42	Tooth Belt 880MXL025 T=110	
7	1-040124-00	Gear Wheel assy.	

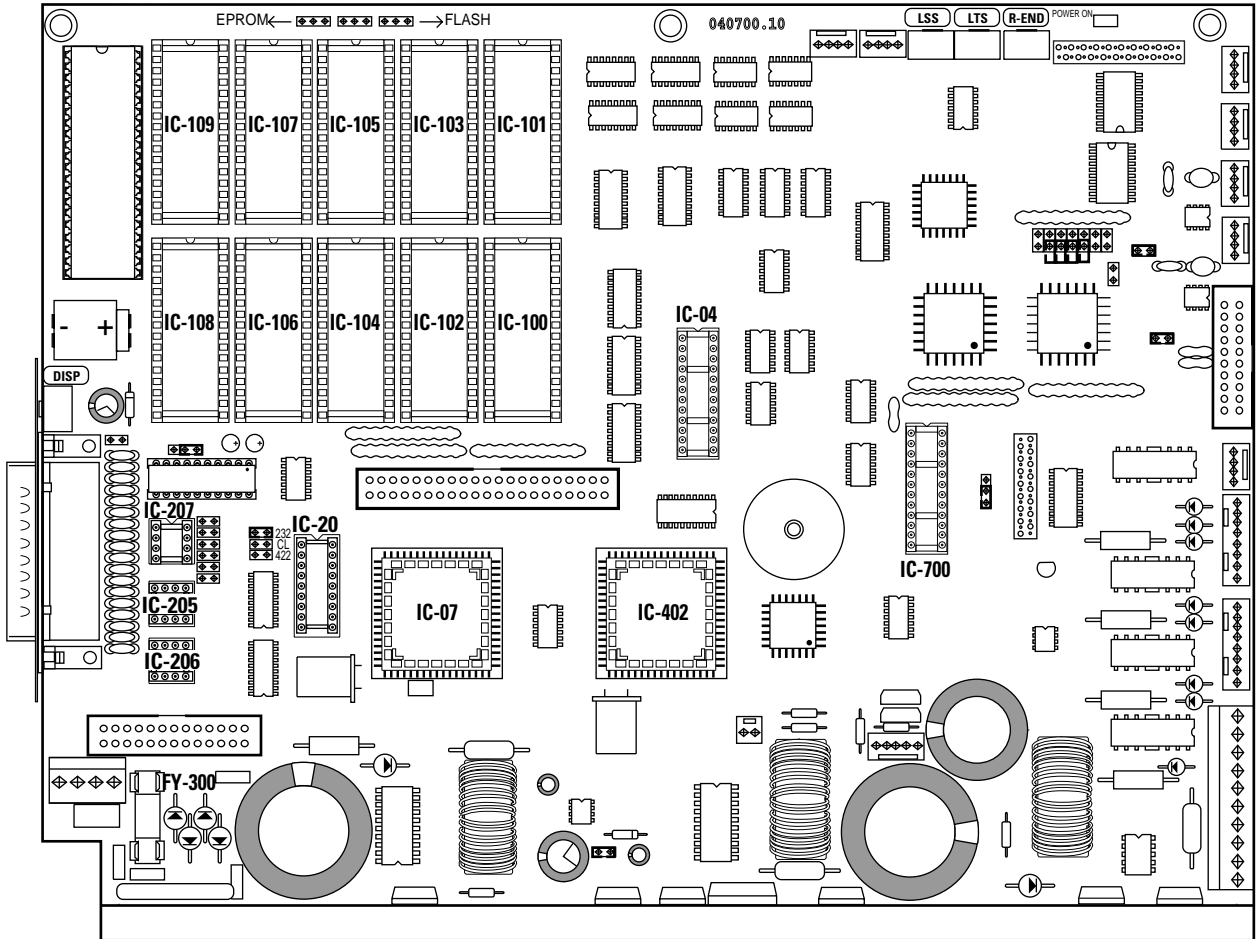
REWIND GUIDE PLATE



Pos.	Part No.	Description	Remarks
-	1-040253-01	Rewind Guide Plate	

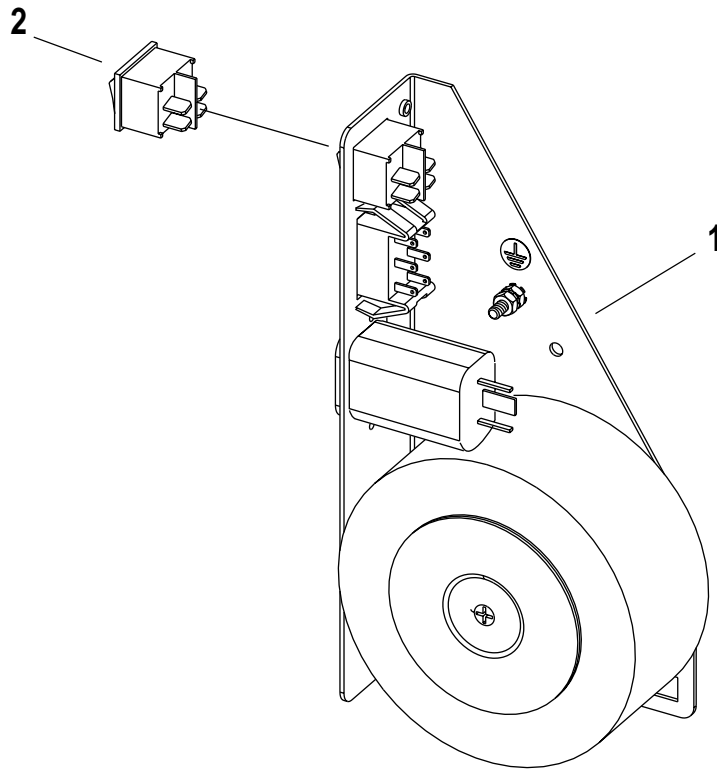
Intermec EasyCoder 501 – Spare Parts & Options

CPU-BOARD



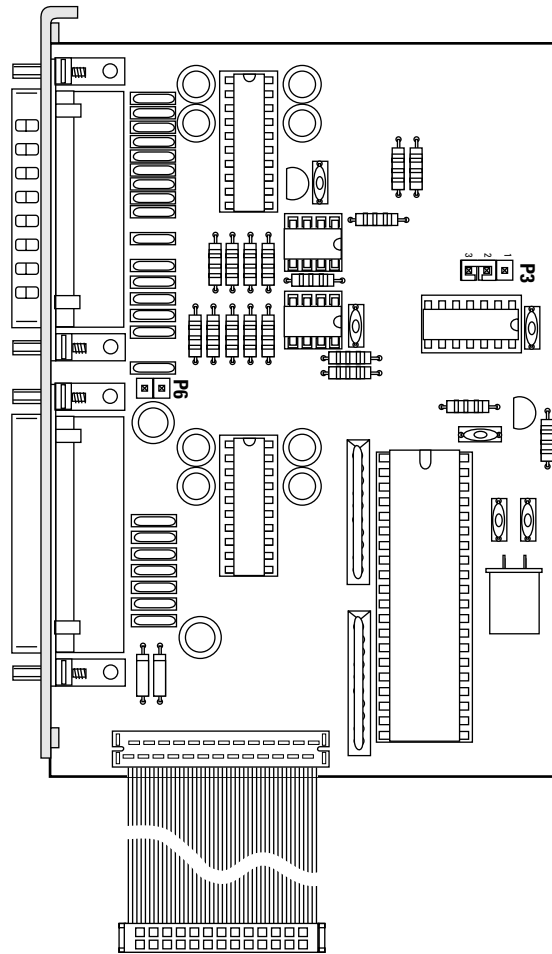
Pos.	Part No.	Description	Remarks
–	1-040700-90	CPU-board assy	Includes these circuits:
IC 07	1-989539-15	IC-32CG16-15	
IC 402	1-989495-10	IC-HPC 46083-XXX/V20YTM	
FY-300	1-985157-25	Fuse 6.3A 5x20 FST IEC (spare part)	Also available as spare part
		Accessories (not incl. in 1-040700-90):	
IC 100-101	1-972xxx-xx	Intermec Fingerprint firmware	Contact Intermec
IC 102-105	–	Application programs, fonts etc.	128 kbyte
IC 106-109	1-989645-00	IC-HN 628128 LP-10 RAM 1 Mb	Optional
IC 20	1-989518-00	IC-RTC72421 Clock circuit	Optional (for 20 mA CL)
IC 205-206	1-985319-00	IC-6N139 Optocoupler	Optional (for RS 422)
IC 207	1-989744-00	RS 422 Circuit	

TRANSFORMER UNIT



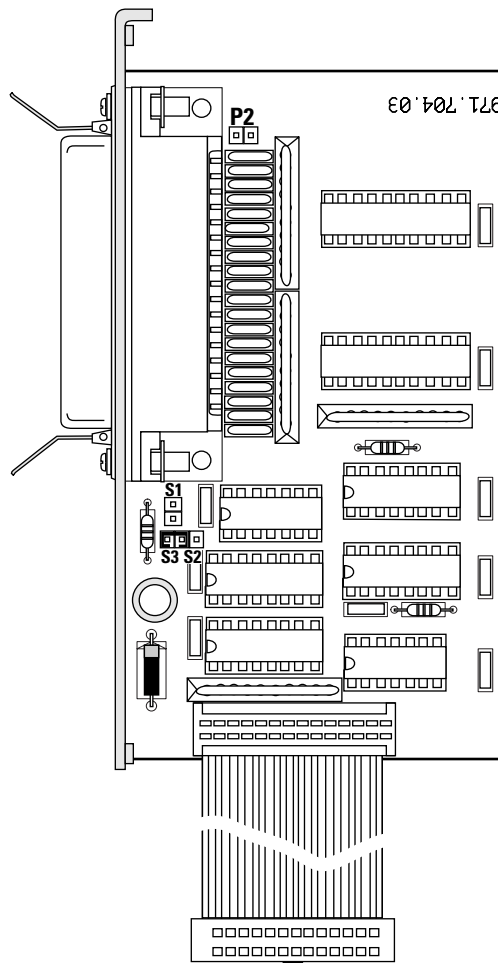
Pos.	Part No.	Description	Remarks
1	1-040066-02	Transformer Unit assy.	Complete unit
2	1-983345-00	Main Switch 2P	

DUAL SERIAL INTERFACE KIT



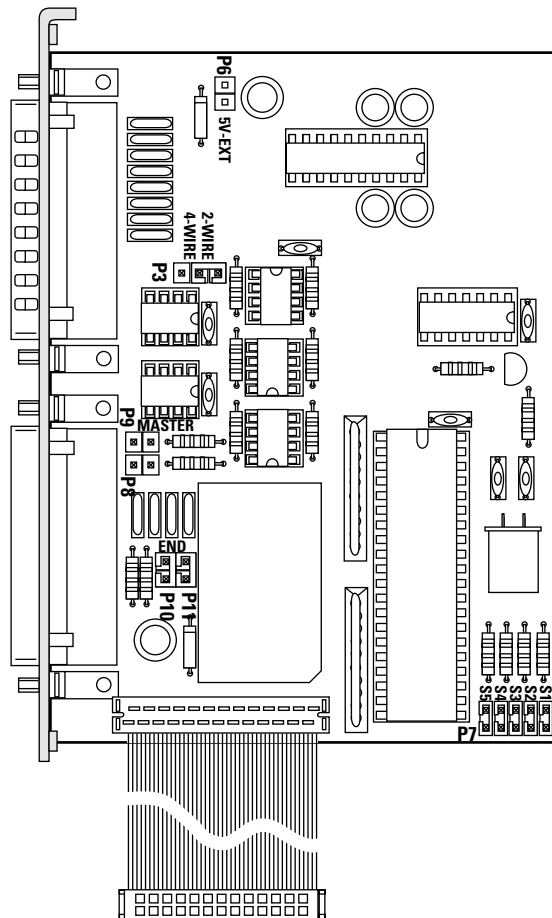
Pos.	Part No.	Description	Remarks
-	1-040554-00	Dual Serial Interface Kit	Incl. cable, cover plate and installation instructions

PARALLEL INTERFACE KIT



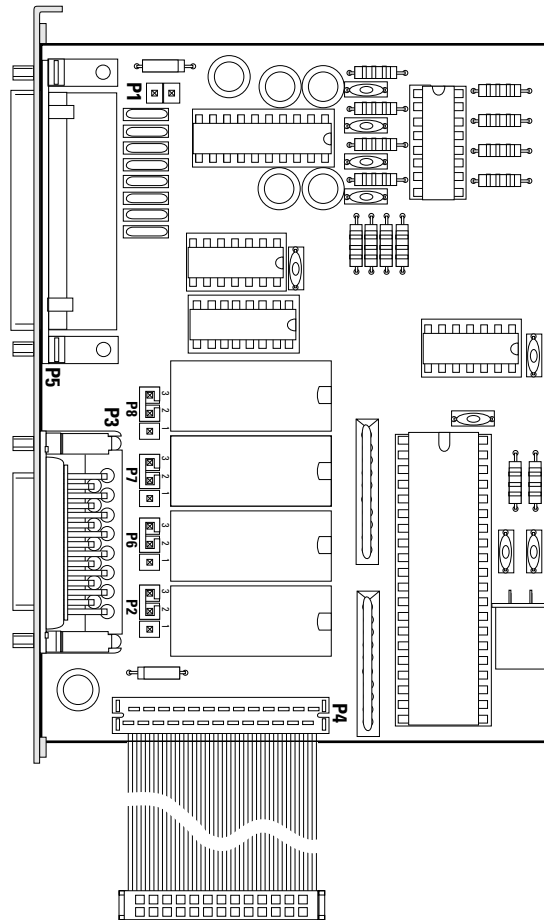
Pos.	Part No.	Description	Remarks
–	1-040553-00	Parallel Interface Board Kit	Incl. cable, cover plate and installation instructions

RS 422/485 SERIAL INTERFACE KIT



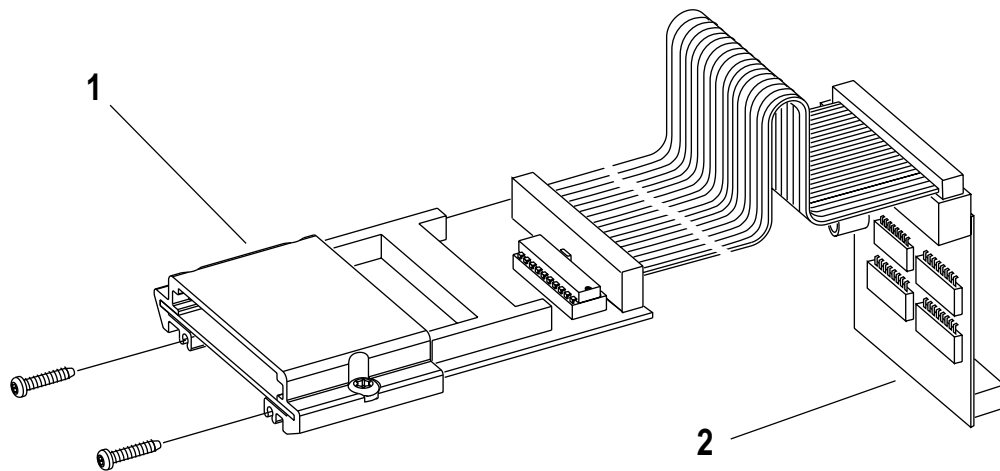
Pos.	Part No.	Description	Remarks
-	1-040557-00	RS 422/485 Serial Interface Kit	Incl. cable, cover plate and installation instructions

INDUSTRIAL INTERFACE KIT



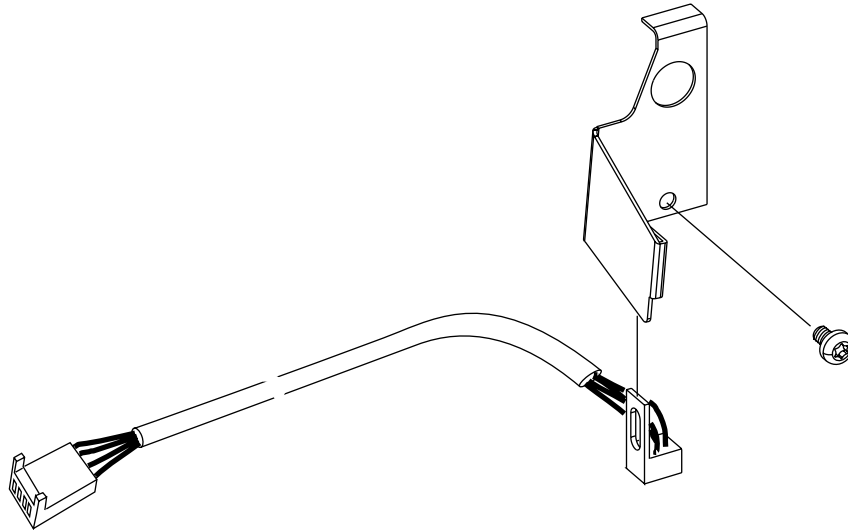
Pos.	Part No.	Description	Remarks
–	1-040558-00	Industrial Interface Kit	Incl. cable, cover plate and installation instructions

MEMORY CARD ADAPTER KIT



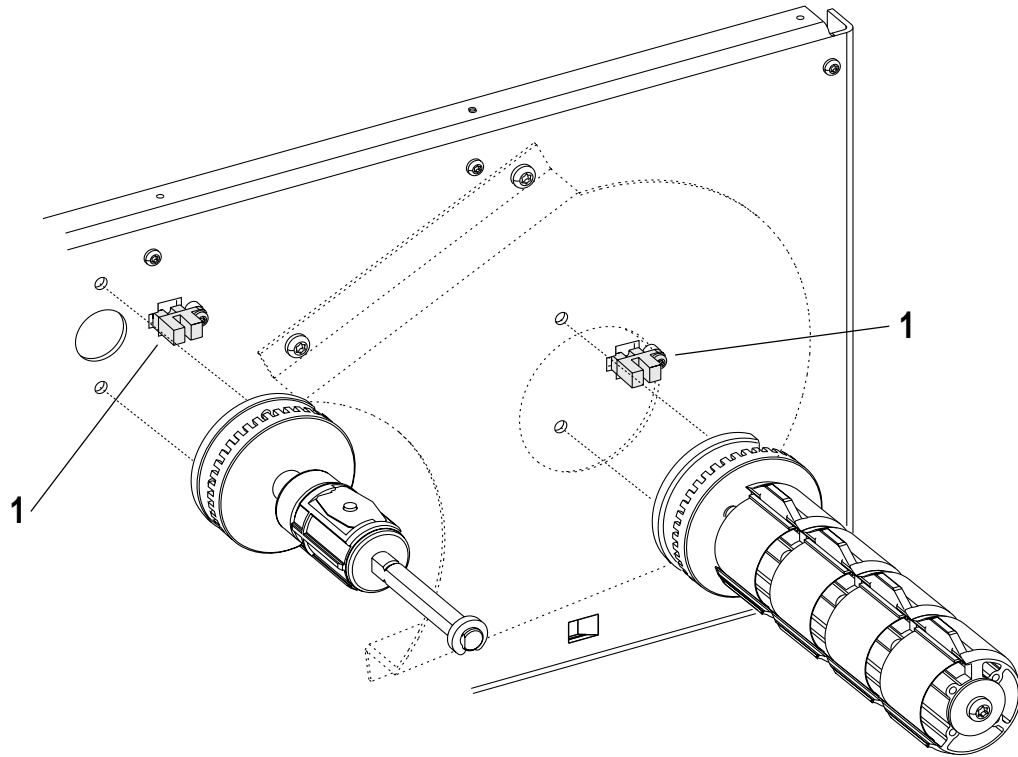
Pos.	Part No.	Description	Remarks
1	1-040556-01	Memory Card Adapter Kit assy.	Complete kit incl. Bus Driver board and installation instructions
2	1-971712-25	Bus Driver Board	

LABEL-TAKEN SENSOR KIT



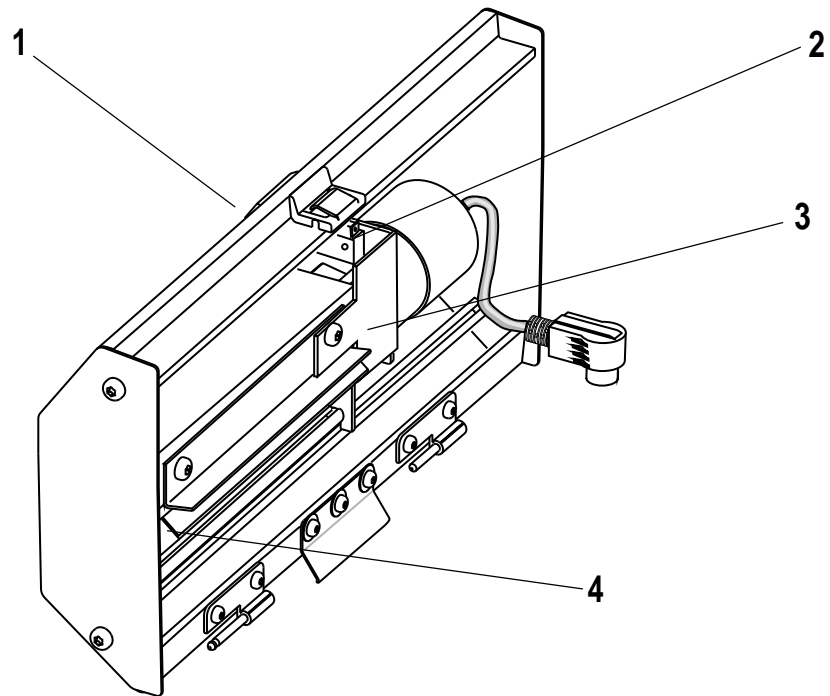
Pos.	Part No.	Description	Remarks
-	1-040559-00	Label-Taken Sensor Kit	Complete kit incl. installation instructions.

SENSOR KIT (PAPER LOW/RIBBON LOW)



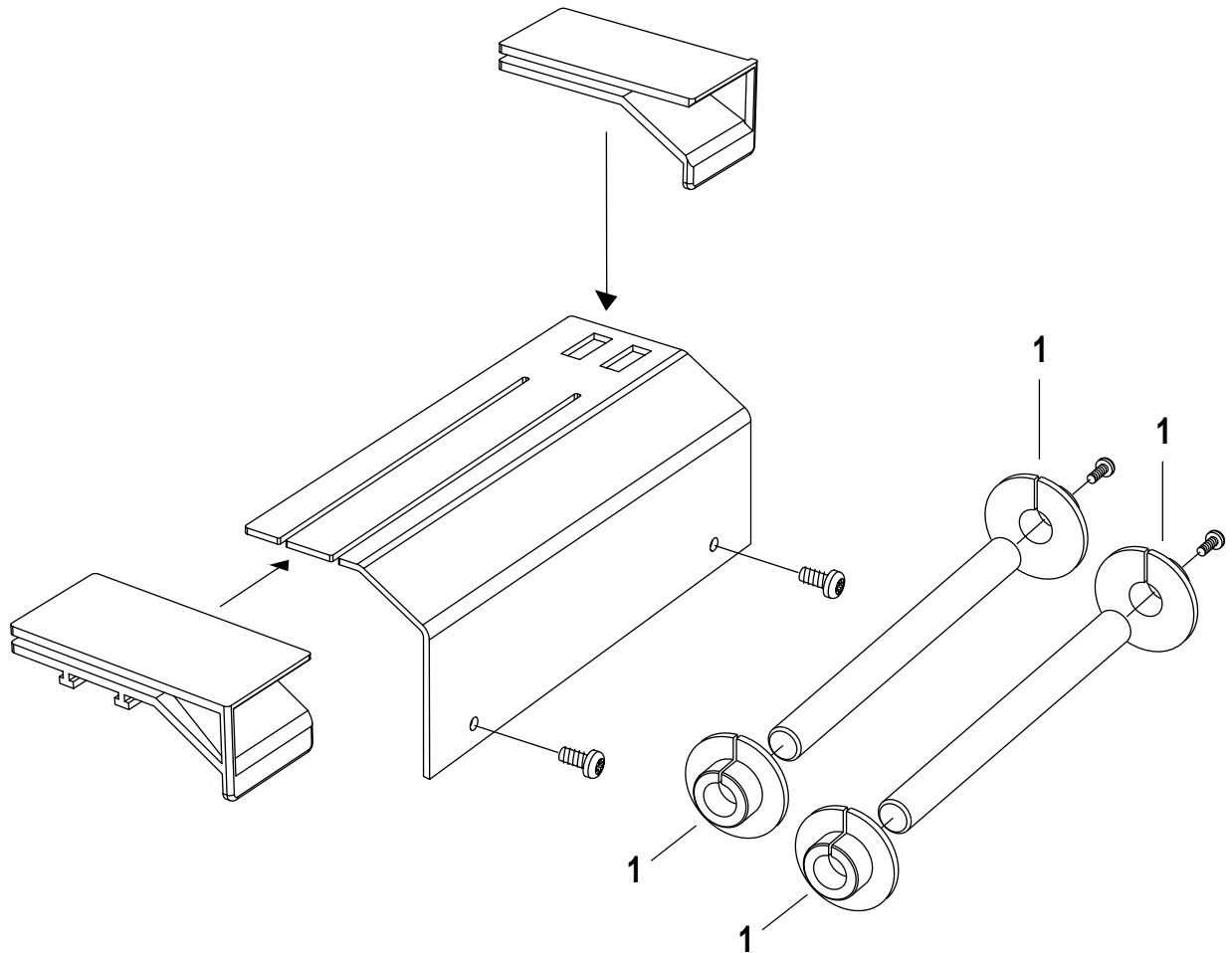
Pos.	Part No.	Description	Remarks
–	1-040562-00	Sensor Kit	Complete kit with 2 sensors with cables, 2 screws and installation instructions
1	1-975605-20	Reflecting Sensor assy.	Cable not shown

PAPER CUTTER KIT



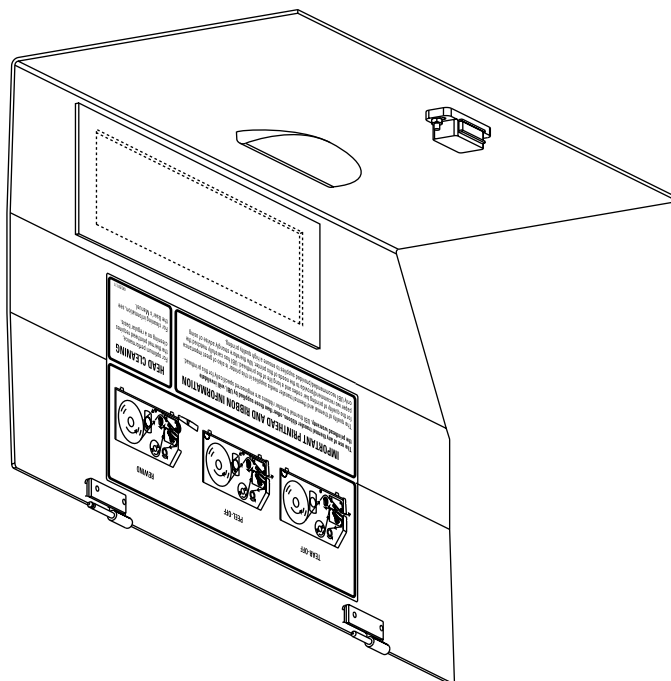
Pos.	Part No.	Description	Remarks
1	1-040551-00	Paper Cutter Kit assy.	Complete kit incl. installation instructions.
2	1-983353-00	Micro Switch	
3	1-040122-01	Cutter Mechanism	Cutter width 120 mm
4	1-040450-00	Spring	Not visible

FAN-FOLD GUIDES



Pos.	Part No.	Description	Remarks
–	1-040565-00	Fan Fold Guides for external paper supply (complete unit)	Including 2 shafts, each with 2 guide washers
1	1-776238-10	Guide Washer	

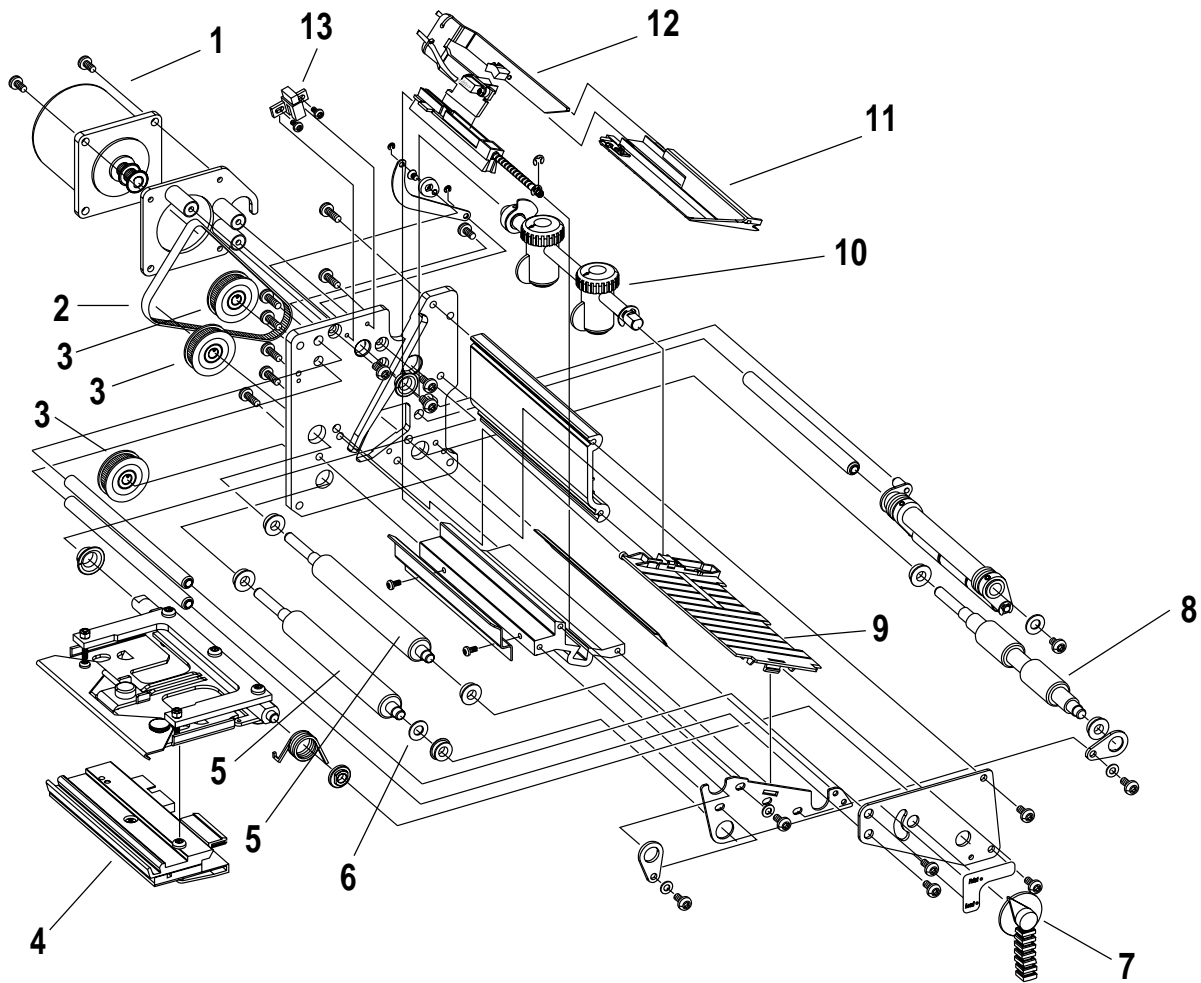
RIGHT-HAND DOOR W. INSPECTION WINDOW



Pos.	Part No.	Description	Remarks
–	1-040121-00	Right-Hand Door w. Window assy.	Can replace 1-040120-00 Right-Hand Door.

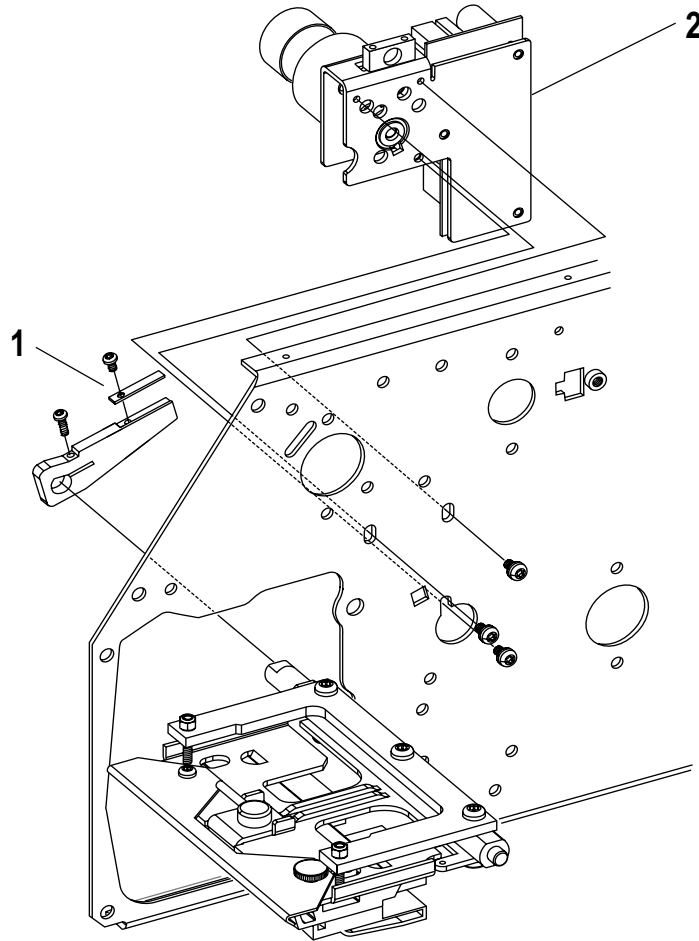
Intermec EasyCoder 501 – Spare Parts & Options

PRINTER UNIT (Ribbon Save)



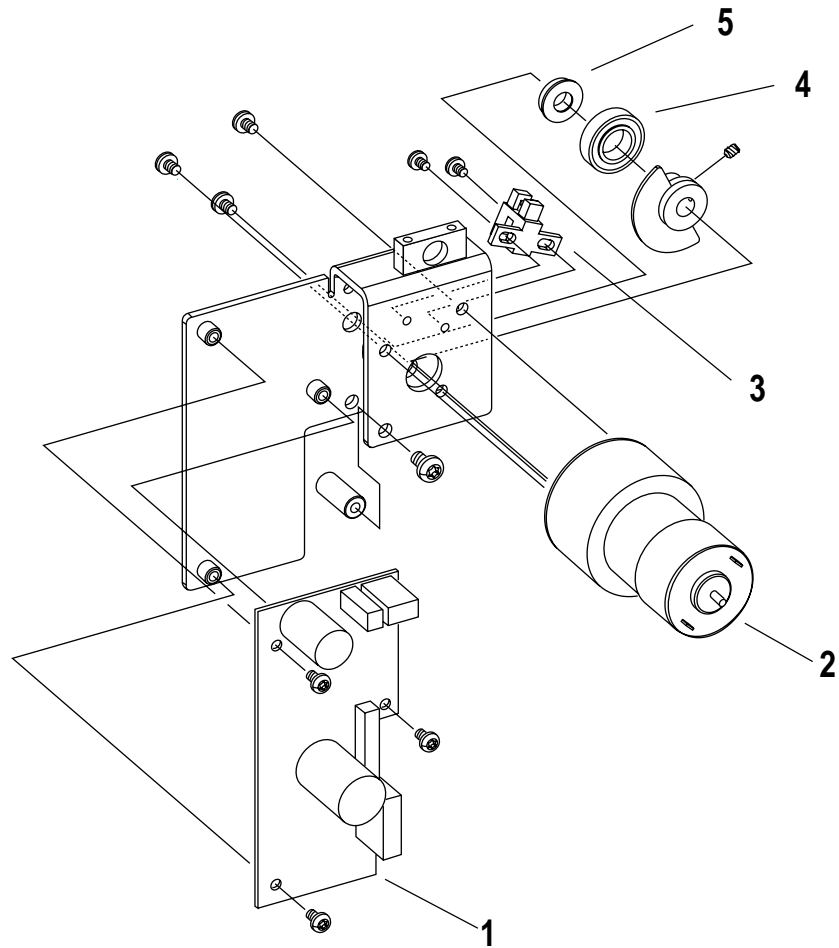
Pos.	Part No.	Description	Remarks
1	1-040111-91	Stepper Motor assy.	
2	1-995101-81	Tooth Belt 138MXL025 T=138	
3	1-040100-02	Tooth Belt Wheel assy.	
4	1-010010-93	Thermal Printhead (8 dots/mm = 203.2 dpi)	Complete w. adapter
4	1-010003-92	Thermal Printhead (11.81 dots/mm = 300 dpi)	Complete w. adapter
5	1-040230-90	Pressing Roller assy.	Incl. 2 roller bearings
6	1-995010-20	Washer DB 6x12x1.0	
7	1-040213-00	Cam Handle	
8	1-040416-90	Pressing Roller assy.	Incl. 2 roller bearings
9	1-040408-00	Guide Lower	
10	1-040138-20	Head Pressure assy.	Complete unit
11	1-040151-00	Guide Upper	
12	1-040109-01	Label Stop Sensor assy.	Complete excl. upper guide
13	1-975607-25	Reflecting Sensor assy. (Printhead lift)	Cable not shown

HEADLIFT MECHANISM (Ribbon Save)



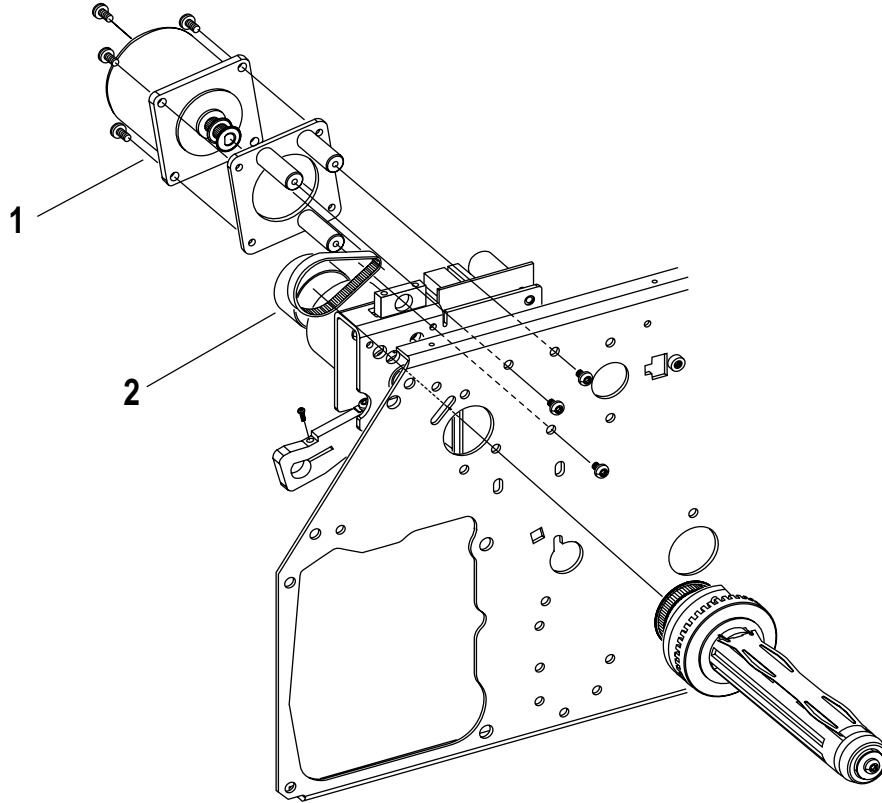
Pos.	Part No.	Description	Remarks
1	1-040405-02	Thrust Plate	See page 32 for details
2	1-040141-00	Lifting Appliance assy.	

LIFTING APPLIANCE (Ribbon Save)



Pos.	Part No.	Description	Remarks
1	1-040702-28	Driver Board assy.	
2	1-150167-00	DC-Motor assy.	
3	1-975607-12	Reflecting Sensor assy.	
4	1-992435-29	Ball Bearing 10x19x5	
5	1-995191-32	Ball Bearing Mini FLAWBC6-12Z	

RIBBON REWIND UNIT (Ribbon Save)



Pos.	Part No.	Description	Remarks
1	1-040111-91	Stepper Motor assy.	
2	1-995101-12	Tooth Belt 504 MXL 025 T=63	

Intermec EasyCoder 501 – Spare Parts & Options

MISCELLANEOUS (not illustrated)

Pos.	Part No.	Description	Remarks
–	1-982731-00	Mains Cable 2.4 m UL/CSA	U.S.A., Canada
–	1-982756-00	Mains Cable 2 m	U.K., Ireland
–	1-982735-00	Mains Cable 2.5 m EUR	European standard
–	1-010001-00	Parallel Interface Cable	3 metres (9.8 ft.)
–	1-975580-05	Serial Interface Cable RS 232C DB25 → DB25	3 metres (9.8 ft.)
–	1-975581-05	Serial Interface Cable RS 232C DB25 → DB9	3 metres (9.8 ft.)
–	1-040950-00	Cable (Power; CPU-board → Printhead)	4 black + 4 brown cables
–	1-975610-02	Cable (Logics; CPU-board → Printhead)	Blue flat cable (20P)
–	1-040951-30	Cable (CPU-board → Cutter connector)	
–	1-110501-00	Cleaning Card	25-pack
–	1-993075-50	Torx Screwdriver T10/20 Combi	

Intermec EasyCoder 501 – Spare Parts & Options

NOTES
