

User's Manual

CITIZEN®
LINE THERMAL PRINTER
MODEL PPU-231
TYPE II

CITIZEN SYSTEMS JAPAN CO.,LTD.

Declaration of Conformity

This printer conforms to the following Standards:

Low Voltage Directive 73/23/EEC, 93/68/EEC and the EMC Directive 89/336/EEC, 92/31/EEC, 93/68/EEC.

LVD : EN60950

EMC : EN55022 Class A
 EN61000-3-2
 EN61000-3-3
 EN55024

This declaration is applied only for 230V model.

WARNING : This is a Class A products. In a domestic environment this product may cause radio interference in which case the user may be required to take adequate measures.

IMPORTANT: This equipment generates, uses, and can radiate radio frequency energy and if not installed and used in accordance with the instruction manual, may cause interference to radio communications. It has been tested and found to comply with the limits for a Class A computing device pursuant to Subpart J of Part 15 of FCC Rules, which are designed to provide reasonable protection against such interference when operated in a commercial environment. Operation of this equipment in a residential area is likely to cause interference, in which case the user at his own expense will be required to take whatever measures may be necessary to correct the interference.

CAUTION: Use shielded cable for this equipment.

Sicherheitshinweis

Die Steckdose zum Anschluß dieses Druckers muß nahe dem Gerät angebracht und leicht zugänglich sein.

For Uses in Canada

This digital apparatus does not exceed the class A limits for radio noise emissions from digital apparatus, as set out in the radio interference regulations of the Canadian department of communications.

Pour L'utilisateurs Canadiens

Cet appareil numérique ne dépasse pas les limites de catégorie A pour les émissions de bruit radio émanant d'appareils numériques, tel que prévu dans les règlements sur l'interférence radio du département Canadien des communications.

GENERAL PRECAUTIONS

- 1 The information contained herein is subject to change without prior notice.
- 2 All rights reserved. Reproduction of part or all of this document is prohibited without written permission from CITIZEN SYSTEMS.
- 3 Except explained elsewhere in this manual, do not attempt to service, disassemble or repair this product by yourself.
- 4 Note that CITIZEN SYSTEMS shall not be responsible for any damage attributable to incorrect operation/handling or improper operating environments which are not specified in this manual.
- 5 Operate this printer only as described in this manual. Failure to do so may cause accidents or other problems.
- 6 Data are basically for temporary use, not stored for a long period or permanently. Please note that CITIZEN SYSTEMS is not responsible for any damage or lost profit resulting from the loss of data caused by accidents, repairs, tests, or any other occurrence.
- 7 If you have any question or comment regarding the information contained in this manual, please contact your CITIZEN SYSTEMS dealer.
- 8 Please note CITIZEN SYSTEMS is not responsible for anything that may occur from operating this printer regardless of what is stated in "7" above.

SAFETY PRECAUTIONS

Before using this product for the first time, carefully read these SAFETY PRECAUTIONS. Incorrect operation may result in unexpected accidents (fire, shock, or injury).

- After having read this Manual, keep it in a safe, readily-accessible place for future reference.
- Some of the descriptions contained in this manual may not be relevant to some printer models.

In order to prevent injury hazard to operators, third parties or damage to property, special warning symbols are used in this user's manual to indicate important items to be strictly observed.

- The following describes the degree of hazard and damage that could occur if the printer is improperly operated by ignoring the instructions indicated by the warning symbols.



WARNING

Neglecting precautions indicated by this symbol may result in fatal or serious injury.



CAUTION

Neglecting precautions indicated by this symbol may result in injury or damage to properties.



This symbol is used to alert your attention to important items.



This symbol is used to indicate prohibited actions.



This symbol is used to alert you to the danger of electric shock or electrostatic damage.



This symbol denotes a request to unplug the printer from the wall outlet.



WARNING

Do not use or store this product in a place where it will be exposed to:

- Flames or moist air
 - Direct sunlight
 - Hot airflow or radiation from a heating device
 - Ill-ventilated atmosphere
 - Chemical reactions in a laboratory
 - Airborne oil, steel particles, or dust
 - Salty air or corrosive gases
 - Static electricity or strong magnetic fields
- Neglecting these warnings may result in printer failure, overheating, emission of smoke, fire, or electric shock.



Do not drop any foreign object nor spill liquid into the printer. Do not place any object on the printer either.

- Do not drop any metallic object such as a paper clip, pin or screw into the printer.
 - Do not place a flower base, pot or cup containing water on the printer.
 - Do not spill coffee, soft drinks or any other liquid into the printer.
 - Do not spray insecticide or any other chemical liquid over the printer.
- A metallic foreign object, if accidentally dropped into the printer, may cause printer failure, fire, or electric shock. Should it occur, immediately turn the printer off, unplug it from the supply outlet, and call your local CITIZEN SYSTEMS dealer.



Please observe the following precautions for power source and power cord:

- Do not plug or unplug the power cord with a wet hand.
- Use the printer only at the specified supply voltage and frequency.
- Use only the specified AC adapter with the printer.
- Check to make sure that the supply outlet from which the printer is powered has a sufficient capacity.
- Do not plug the power cord into a supply outlet with dust or debris left on its plug.
- Do not supply the printer from a power strip or current tap shared with other appliances.
- Do not use a deformed or damaged power cord.
- Neglecting to handle properly may result in printer failure, emission of smoke, fire, or electric shock.
- An overload may cause the power cable to overheat or the circuit breaker to trip.
 - Do not allow anything to rest on the power cord. Do not place the printer where the power cord will be trampled on.
 - Do not attempt to modify the power cord unnecessarily.
 - Do not use or carry the printer with its power cord bent, twisted, or pulled.
 - Do not lay the power cord in the neighbor of a heating device.
- Neglecting these cautions may cause wires or insulation to break, which could result in leakage, electric shock, or printer failure. If a power cord sustains damage contact your CITIZEN SYSTEMS dealer.
 - Supply power to the printer from a convenient wall outlet, readily accessible in an emergency.
 - Do not leave things around the supply outlet to always ensure easy access to it.
- The printer may not be immediately shut down in an emergency.
 - Insert the power plug fully into the outlet.
 - If the printer is not to be used for a long time period, leave it disconnected from its supply outlet.



Do not handle the printer in the following ways:

- Do not allow the printer to sustain strong impacts or hard jolts (e.g. trampling, dropping, striking with a hard edge).
- Never attempt to disassemble or modify the printer.
- Do not clean the printer with any organic solvent, such as alcohol, paint thinner, trichloroethylene, benzene, or keton.
- Neglecting to handle properly may result in printer failure, overheating, emission of smoke, fire, or electric shock.



Install, use, or store the printer out of the reach of children.

- The plastic bag the printer came in must be disposed of properly or kept away from children. Wearing it over the head may lead to suffocation.
- Electric appliances could cause an unexpected injury or accident if they are handled or used improperly.
- Keep the power cord and signal cables out of the reach of children. Also children should not be allowed to gain access to any internal part of the printer.



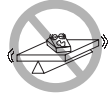
CAUTION

Place the printer on a flat surface.

- Otherwise it may drop off from its position.

Be careful where you place the printer and what is placed near it.

- Take care that a nearby wall or some kind of cloth does not block printer ventilation holes.
- Do not use the printer with any object placed on it.
- Be careful about internal heat buildup, which could cause fire and deform the case.
 - Avoid using the printer near a radio or TV set or from supplying it from the same outlet as these appliances.
 - For interconnections, use shielded or a twisted pair of cables and ferrite cores, or other anti-noise devices.
 - Avoid using the printer with a device that is a strong source of noise.
- The printer may have an adverse effect on nearby radio or TV transmissions. There may also be cases when nearby electrical appliances adversely influence the printer, causing data errors or malfunction.



Use the printer with its grounding post connected to a convenient grounding facility.

- If leakage occurs electric shock may result.

Do not connect the printer's grounding post to any of the following facilities:

- Utility gas piping
- A gas explosion could result
 - Telephone line ground
 - Lightning rod
- If lightning strikes a large surge of current may cause fire or shock
 - Utility water pipes
- Plastic water pipes should not be used for grounding. (Those approved by a Waterworks Department may be used.)

Before connecting or disconnecting the grounding lead to or from the printer, always unplug it from supply outlet.



Before connecting or disconnecting the power cord or interconnect cables to or from the printer, always turn the entire system power off. When disconnecting a cable, do not pull out by the cable. Always hold the plug.

Firmly insert the cable plug into its mating socket.

- A cross connection may damage the printer's internal electronics or the host system's hardware.

Only use the printer with devices that have designated solenoid specifications for the drawer kick-out connector.

- Neglecting this caution may result in malfunction or failure.



To prevent possible malfunction or failure observe the following:

- Avoid operating the printer without roll paper properly loaded or with paper not complying with specifications.
- **May damage thermal head or result in poor print quality.**
 - Avoid using torn pieces of paper or spliced with plastic adhesive tapes.
 - Avoid forcibly pulling already loaded paper by hand.
 - Avoid wedging the paper in by the printer cover.
- **May jam paper. To release, refer to “Removing Jammed Paper” in this manual.**
 - Avoid using a sharp pointed device to operate panel keys.
- **Neglecting these cautions may result in printer malfunction or failure.**



To prevent injury and printer failures from worsening, observe the following:

- In case of trouble do not attempt to repair the printer. Leave it to our service engineer.
- Do not touch the printing surface of the thermal head.
- Be careful that the printer cover does not entrap your hands or fingers.
- Be careful with sharp edges on the printer. Don't allow them to injure you or damage property.
- Do not touch any of the moving parts (e.g. paper cutter, gears, active electrical parts) while the printer is working.
- **May result in electric shock, burn, or injury.**
- **If the printer emits smoke, an odd smell, or unusual noise while printing, immediately abort the current print session and unplug the printer from the supply outlet.**



DAILY MAINTENANCE

Observe the following precautions for daily maintenance:

- When cleaning the printer, always turn it off and unplug it from the supply outlet.
- Use a soft, dry cloth for cleaning the surface of the printer case.
- For severe stains, use a soft cloth slightly dampened with water.
- Never use organic cleaning solvent such as alcohol, paint thinner, or benzene.
- Never use a chemically processed cleaning cloth.
- To remove paper chips, use a soft brush.
- When transporting the printer, remove the roll paper from its paper holder.
- When cleaning the thermal head surface, use a cotton gauze slightly dampened with alcohol.



CAUTION

- Do not touch the thermal head's printing surface with bare hand or a metallic implement.
- The thermal head is at a dangerously high temperature immediately after printing. Allow it to cool off before launching maintenance work.

THE TABLE OF CONTENTS

1. GENERAL OUTLINE	9
1.1 Features	9
1.2 Unpacking	9
2. BASIC SPECIFICATIONS	10
2.1 Model Classification	10
2.2 Basic Specifications	12
2.3 Print Paper Specifications	13
3. APPEARANCE AND COMPONENTS PARTS	15
3.1 PPU (Presenter, Auto-cutter, Printer Mechanical Unit)	15
3.2 PHU (Paper Holding Unit) (Option)	16
4. OPERATION	17
4.1 Connecting AC Adapter and AC Power Cord	17
4.2 Connecting Interface Cables	19
4.3 Connecting Paper Holding Unit (PHU) (when PHU is used)	20
4.4 Setting/Replacing Paper Roll	21
4.5 Removing the Remaining Paper Roll	22
4.6 Removing Jammed Paper	23
4.7 Removing Cutter Lock	25
4.8 FEED Switch	25
4.9 Paper End	25
4.10 Paper Near-End Sensor (when PHU is used)	26
4.11 Auto Loading	26
4.12 Paper Retraction	26
4.13 Self-printing	27
4.14 Operation Panel and Error Indication	27
5. SETTING DIP SWITCHES	29
5.1 Location of DIP Switches	29
5.2 DIP Switches	30
6. POWER CONNECTOR	32
6.1 Power Connector Specifications	32
7. MAINTENANCE AND SERVICE	33
APPENDIX 1. OUTLINE DRAWING	i
APPENDIX 2. BLOCK DIAGRAM	iii
APPENDIX 3. IDENTIFICATION OF SEND STATUS	iv

APPENDIX 4. PARALLEL INTERFACE	v
APPENDIX 5. SERIAL INTERFACE	vii
APPENDIX 6. CONTROL COMMAND	ix

1. GENERAL OUTLINE

The PPU 231 Type II is a printer designed for use with a broad array of terminal equipment including data, measuring instruments, outdoor information, or as a presenter for issuing various kinds of tickets and coupon tickets.

With extensive features, it can be used in a wide range of applications.

To obtain the best results from the PPU231 Type II printer, please read the instructions in this manual thoroughly.

1.1 Features

- Small size and light weight requiring minimum installation space.
- Line thermal printing allows high-speed, low-noise printing.
- Long-life head and high reliability with simple mechanism.
- Auto-loading feature facilitates paper setting.
- Built-in input buffer.
- Barcode printing is available with special command.
- Page mode allows free layout of printing.
- User-defined characters and logos can be registered in the flash memory.
- User-designed characters can be registered (95 ANK characters).
- Low cost.
- Free layout of each unit.
- Large-sized roll paper can be used.
- Paper retraction.

1.2 Unpacking

After unpacking the printer, confirm that the following are provided.

- Printer 1
- User's manual 1



CAUTION

- Place the printer on the equipment positioned horizontally and stably.
- Avoid installation near heater or in direct sunlight.
- Avoid use in the environment with high temperature, high humidity, and very dirty.
- Avoid dew condensation. In the case of dew condensation, keep power off till dew condensation is cleared.

2. BASIC SPECIFICATIONS

2.1 Model Classification

The printer models are classified by the following designation method:

2.1.1 PPU Series (Printer Presenter Unit)

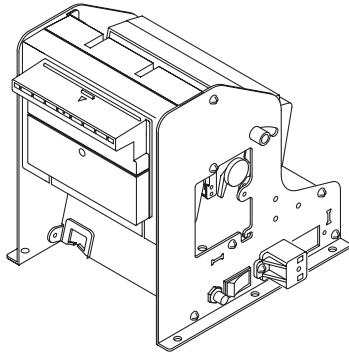
PPU-231 II R E M

Model Name _____

Interface _____
R: Serial (RS-232C)
P: Parallel (IEEE 1284 compliant)

Character Set _____
U: USA (in inch screw)
E: Europe (in millimeter)

Paper Detection _____
None: Standard (End)
M: Black Mark Detection



* Screw designation in character set applies only at the selection of serial interface.

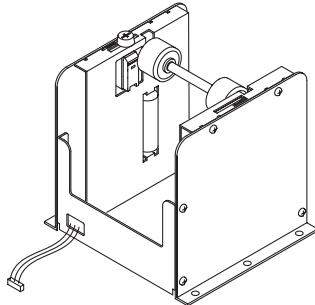
2.1.2 Option

(1) PHU Series (Paper Holding Unit)

PHU-13 1

Model Name _____

PNE Sensor _____

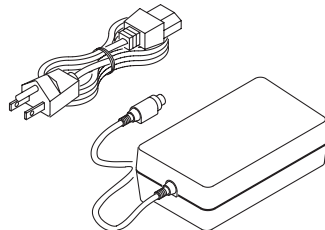


(2) 31AD Series (Power Unit)

31AD-E

Model Name _____

Power Cord _____
U: USA (120 V 3-core cord)
E: Europe (230 V Class I Cord)

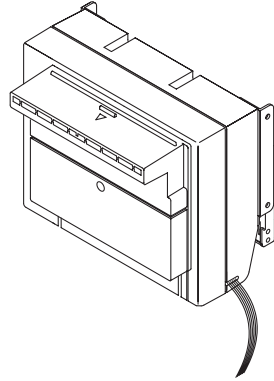


2.1.3 Other

The following models are sold in a single unit.

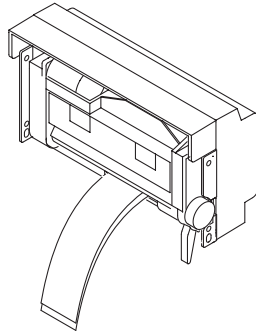
(1) PRU Series (Presenter Unit)

PRU-130 II



(2) PMU Series (Printer Mechanism Unit)

PMU-230



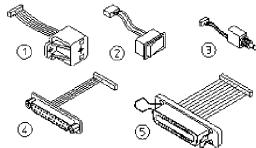
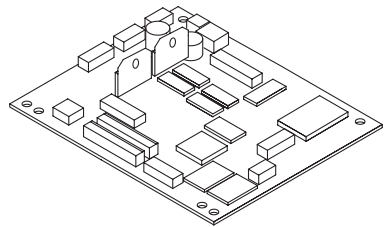
(3) BD2 Series (Control Board with accessory)

BD2-380B P E

Model Name _____
Interface _____
R: Serial (RS-232C)
P: Parallel (IEEE 1284 compliant)
Character Set _____

U: USA (in inch screw)
E: Europe (in mm)

* Screw designation in character set applies only at the selection of serial interface.



* For detailed specifications, refer to "PHU, PRU, PMU, BD2 User's Manual".

2.2 Basic Specifications

Item	Model	PPU-231II-RU PPU-231II-PU	PPU-231II-RE PPU-231II-PE
Print method		Line thermal dot print method	
Print width		72 mm/756 dots	
Dot density		8 × 8 dots/mm (203 dpi)	
Print speed		62.5 mm/sec (max.), (500 dot lines/sec)	
Number of print columns		Font A: 48 columns (12 × 24 dots) Font B: 64 columns (9 × 24 dots)	
Character size		Font A: 1.25 × 3.00 mm Font B: 0.88 × 3.00 mm	
Character type		Alphanumeric characters, International characters, Code 850, 852, 857, 860, 863, 865, 866, and Windows code	
Logo registration/print		Capable of registering user-defined characters and logos into flash memory.	
Barcode type		UPC-A/E, JAN (EAN) 13 columns/8 columns, ITF CODE 39, CODE 128, CODABAR, CODE93	
Line spacing		4.23 mm (1/6 in.), selectable by use of command	
Paper (See paper spec.)		Thermal paper roll: 80 mm External diameter: ø 203 mm max. (when using PHU) Internal diameter: ø 25.4 mm Paper thickness: 60 to 85 µm	
Presenter		Standard length: 84 to 170 mm	
Interface		Serial (RS-232C) Parallel (IEEE 1284 compliant, bidirectional communication)	
Input buffer		4K bytes	
Supply voltage		24 V ±7%	
Power consumption		100 W	
AC adapter specification		Rated input: AC 100 to 240 V, 50/60 Hz, 120 VA Rated output: DC 24 V, 1.9 A	
	Type	31AD-U	31AD-E
Weight		PPU: 1.6 kg (including control board) PHU: 0.9 kg (excluding paper roll)	
Outside dimensions		145 (W) × 160 (D) × 172 (H) mm (See External view.)	
Operating temperature and humidity		5 to 40°C, 35 to 85% RH (No dew condensation)	
Storage temperature and humidity		-20 to 60°C, 10 to 90% RH (No dew condensation)	
Reliability		Print head life:	Pulse resistance: 50 million pulses (Print rate 12.5%) Wear resistance: 30 km (AT normal temperature, humidity with recommended paper used)
		Auto cutter life:	300,000 times of cutting (at normal temperature/humidity with recommended paper used)
Safety Standard*1		UL, C-UL, FCC Class A	TUV, GS, CE marking

*1 Represents the safety standards acquired when CITIZEN SYSTEMS-made AC adapter (31AD series) is used.

2.3 Print Paper Specifications

2.3.1 Specified Paper

(1) Thermal Paper Roll

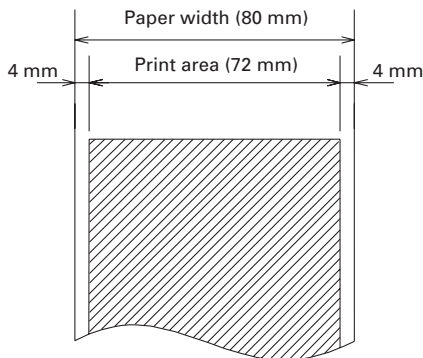
- Type: Heat-sensitive paper
- Paper width: 80 + 0/-1 mm
- Paper thickness: 60 to 85 mm
- Roll diameter: ϕ 203 mm max. (when using PHU)
- Print surface: Outer side of the roll (surface)
- Recommended paper: TF50KS-E2D from Nippon Paper or other similar products
- Core: ϕ 25.4 mm (inner diameter)



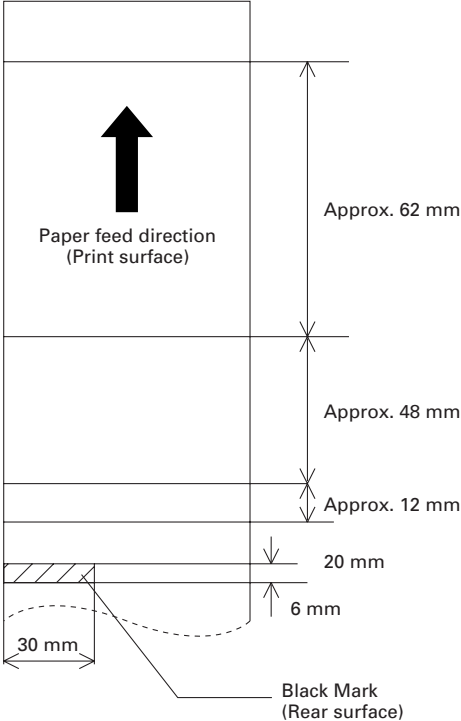
CAUTION

- Paper not complying with the specifications may cause some departure in print tone.
- Adjust the print tone with the DIP switch.
(See "5. Setting DIP Switches".)
- Do not paste paper end to the core as it may cause coloration or faint letters if printed documents are exposed to a particular chemical or oil afterwards.
- Rubbing the document surface with your nail or metallic device may cause coloration.
- Coloration occurs at a temperature of around 70°C or above. Keep documents away from heat, moisture, or light.

2.3.2 Print Position

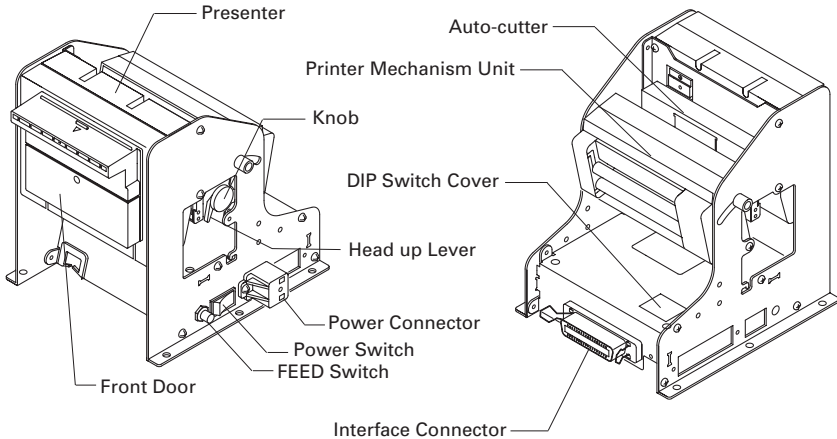


2.3.3 Paper Cut Position and Sensor Position



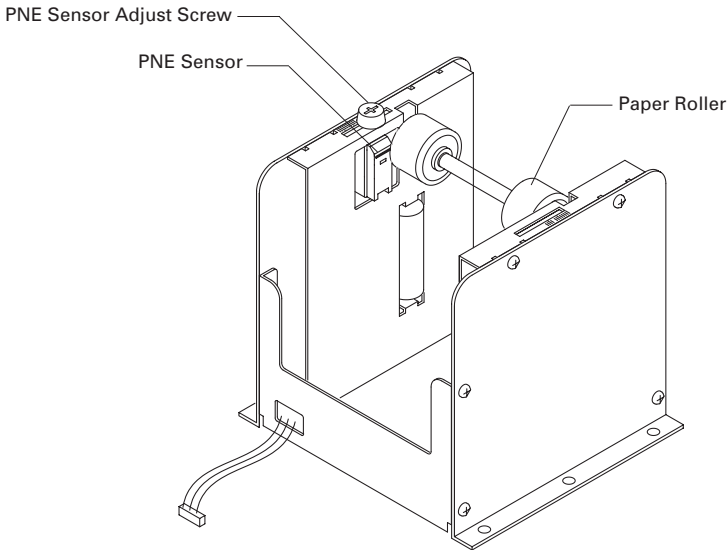
3. APPEARANCE AND COMPONENTS PARTS

3.1 PPU (Presenter, Auto-cutter, Printer Mechanical Unit)



- (1) **Power Switch**
Switch to turn ON/OFF presenter power.
(Mountable on any side, left or right.)
- (2) **FEED Switch**
This switch, when pressed, feeds and cuts paper and ejects the paper from the presenter.
(This switch is mountable on any side, left or right.)
- (3) **Power Connector**
Connector for connecting the AC adapter (31AD) supplied with the printer.
(This connector is mountable at 6 places shown in 4.1.1.)
- (4) **Presenter**
Conveys the printed paper.
- (5) **Auto-cutter**
Cuts the printed paper.
- (6) **DIP Switch Cover**
The DIP switch under this cover sets the default value at power on and various functions of the printer.
(See "5. Setting DIP Switches".)
- (7) **Interface Connectors**
Connects the interface cable for communication. Both serial and parallel connectors are provided.
- (8) **Head up Lever**
Used when loading or replacing paper.
- (9) **Knob**
Used for manually feeding paper.
- (10) **Front Door**
Opening this door allows removal of paper in the printer.

3.2 PHU (Paper Holding Unit) (Option)



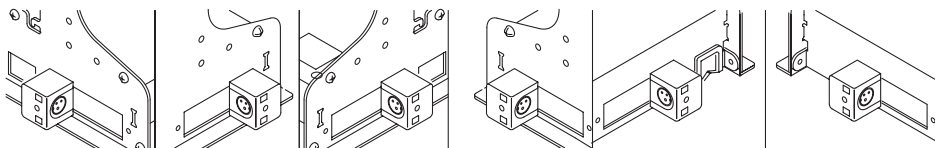
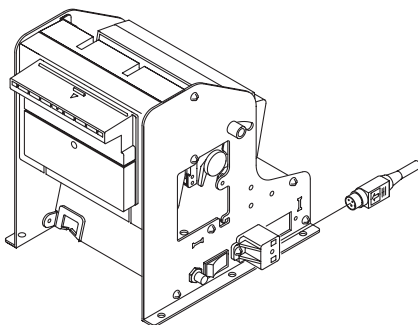
- (11) **PNE Sensor**
Sensor to detect that paper is low.
- (12) **PNE Sensor Adjust Screw**
Screw to adjust the amount of paper by moving the sensor position.
- (13) **Paper Roller**
Used for supporting roll paper.

4. OPERATION

4.1 Connecting AC Adapter and AC Power Cord

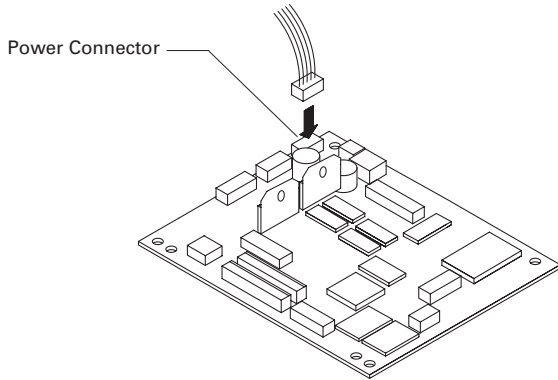
4.1.1 When Power Connector is Used

- 1 Turn the printer power off.
- 2 Confirm the direction of the cable connector of the AC adapter and insert it into the power connector until it is locked. (Power connector can be attached to any one of the six places as shown below.)
- 3 Connect the AC power cord to the inlet of the AC adapter and the plug of the AC power cord to the wall outlet.



4.1.2 When Directly Connecting to Control Board

- 1 Turn the printer power off.
- 2 Connect the power cable to the power connector on the control board.

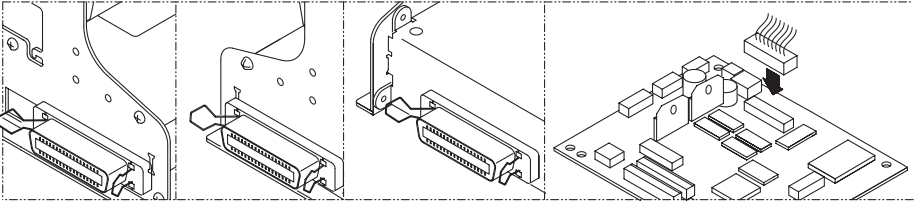
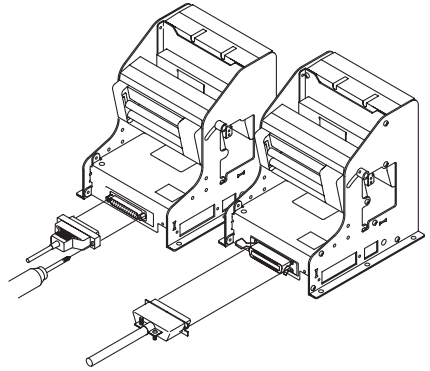


CAUTION

- Do not use AC Adapter of other than the specified.
- Always hold the connector portion when attaching or removing the cable connector of the AC adapter.
- AC power supply must be separated from the equipment that may cause noise.
- Do not pull the power cord. Otherwise, the cord may be damaged resulting in a fire, electric shock, or disconnection.
- When lightning is coming, unplug the AC power cord from the wall outlet and do not use the printer. Lightning strike may cause a fire or electric shock.
- Keep the power cord off any heating instrument. The cover of the cable may be melt resulting in a fire or electric shock.
- If you leave the printer unused for a long period, keep the AC power cord unplugged from the wall outlet for safety purpose.

4.2 Connecting Interface Cables

- 1 Turn off the printer (and the computer to be connected).
- 2 Orient the interface cable connector correctly and insert it to the interface connector of the printer.
- 3 Secure the cable connector firmly as shown below.
Serial interface cable: Fasten the connector with screws.
Parallel interface cable: Fix the connector by swinging the clamps.
- 4 Connect the other end of the interface cable to the computer.

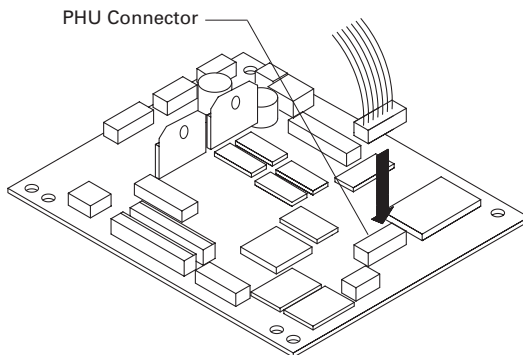


CAUTION

- Verify the pin assignment of the interface connector and cable referring to “Appendix 4. Parallel Interface” and “Appendix 5. Serial Interface”. Wrong wiring may result in fault, malfunction, or the like of the computer as well as the printer.
- Always hold the connector when connecting or disconnecting the interface cable. Holding the cable may cause disconnection of the cable core.
- Confirm that the interface cable is connected securely. Poor contact may result in a failure in communication.

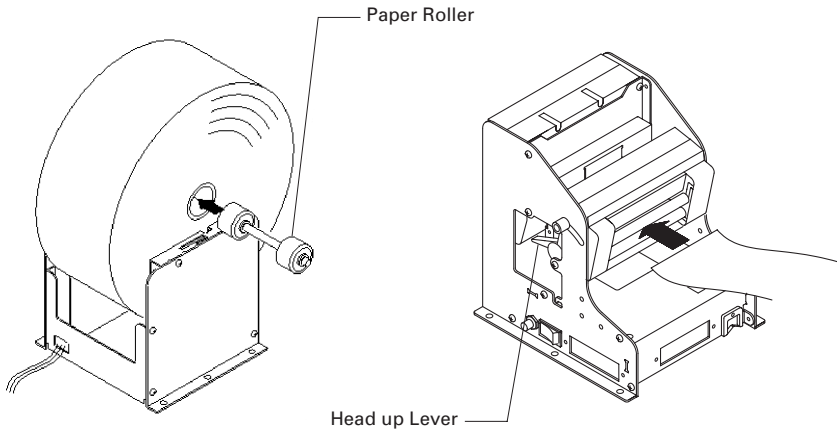
4.3 Connecting Paper Holding Unit (PHU) (when PHU is used)

- 1 Turn the printer power off.
- 2 Connect the PHU to the PHU connector on the control board at the rear of the printer in right direction.



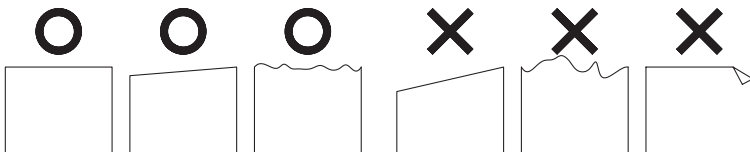
4.4 Setting/Replacing Paper Roll

- 1 Cut the top end of the paper roll at about right angle to the roll direction.
- 2 Insert a paper roller into the paper roll.
- 3 Check the winding direction of paper roll and set the paper roll to the paper holder.
- 4 Confirm that the printer power is on.
- 5 When any paper remainder is present after paper low alarm, remove the paper roll in accordance with "4.5 Removing the Remaining Paper Roll".
- 6 Lift the head up lever of the printer mechanism.
- 7 Insert the top end of the paper roll into the paper slot straightforward until it reaches a stop.
- 8 Press down the head up lever. The paper is automatically pulled into the platen roller (see "4.11 Auto Loading") and then cut. When the ejected paper is removed, the printer is now ready for printing.



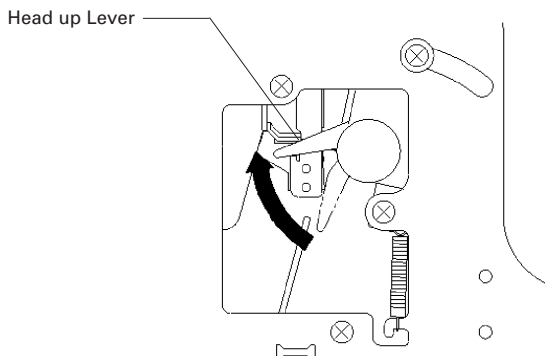
CAUTION

- Always use the specified type of paper roll.
- Use of other type of paper roll may result in a failure in assuring the print quality, head life, presenter function, etc.
- Paper roll with fluffed or folded end shall not be inserted. Paper jam or wrong insertion of paper may occur.
- Rewind the paper roll to remove loose winding.
- When the paper roll is set slanted, lift the head up lever and adjust the paper roll position or remove the paper roll and then place it correctly.
- Do not lift or hold the paper roll during printing. Otherwise, paper jam may occur.
- After paper setting is completed, the printer is ready for printing. In this case, note that printing occurs just after paper setting if data remains in the buffer.



4.5 Removing the Remaining Paper Roll

- 1 Lift the head up lever.
- 2 Gently remove the paper. The head goes off the platen roller to allow extraction of the paper roll.



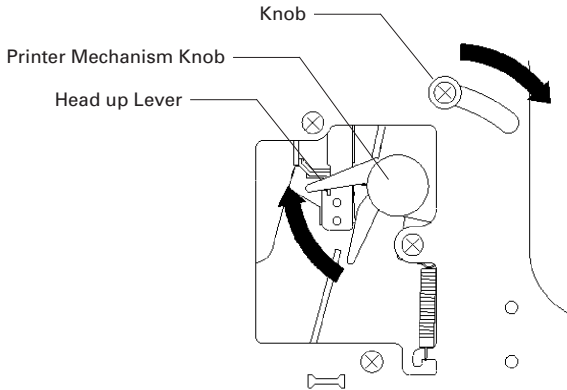
CAUTION

- Do not remove paper roll with the head up lever down, or damage to the head may result.
- Hot temperature may remain in the printer mechanism just after printing operation. Use care not to touch the heated part while accessing the printer.

4.6 Removing Jammed Paper

4.6.1 Removing Jam in Printer Mechanism

- 1 Turn the printer power off.
- 2 Cut the paper roll at the point near the paper slot.
- 3 Move the knobs at both sides in the arrow direction to detach the auto cutter from the printer mechanism.
- 4 Lift the head up lever to detach the head from the platen roller.
- 5 Turn the knob of the printer mechanism and remove the paper chip remaining in the paper path completely.
- 6 Press the head up lever down to return the printer mechanism to the original position.

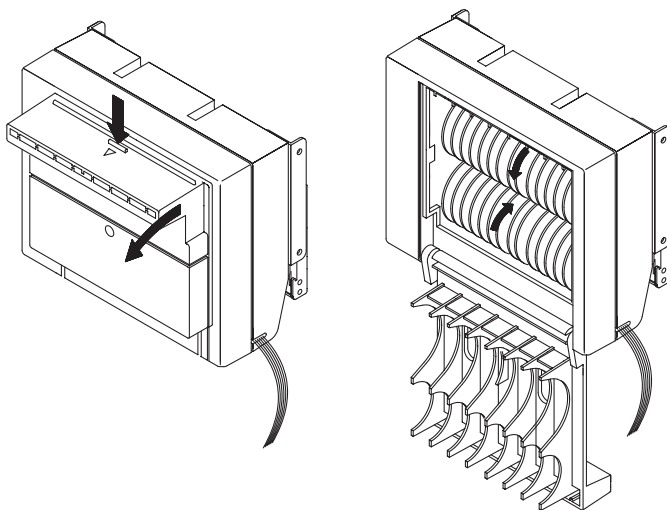


CAUTION

- Do not access the printer head just after printing operation because the print head remains hot.
- Do not touch the surface of the heated portion of the head with a bare hand or with a metal tool.

4.6.2 Removing Jam in Presenter

- 1 Turn the printer power off.
- 2 Open the front door.
- 3 Turn the roller by hands and remove the paper roll from the presenter completely.
- 4 In case of a jam between the presenter and auto cutter, remove the paper roll using tweezers or the like.
- 5 Close the front door.

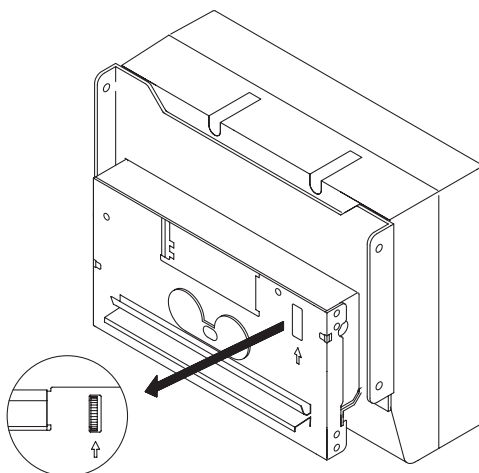


CAUTION

Do not force the roller to turn or do not apply excessive force to the roller. Otherwise, a broken roller may occur.

4.7 Removing Cutter Lock

- 1 Remove the paper roll from the paper path referring to “4.6 Removing Jammed Paper”.
- 2 Turn the printer power on. Auto cutter starts initialization and the cutter returns to the correct position.
- 3 If the paper cutter does not return even after the above operation, turn the printer power off and turn the emergency knob of the auto cutter in the arrow direction to restore the auto cutter.
- 4 Remove the paper remainder on the blade of the cutter by using tweezers or the like.



4.8 FEED Switch

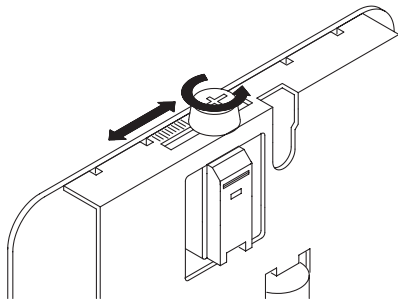
- 1 The FEED switch, when pressed, feeds paper, cuts the paper, and then ejects the paper.

4.9 Paper End

- 1 If no print paper is present in the printer, Busy, Fault, and Perror alarms are sent to the computer through the parallel interface or DTR output is sent to the printer through the serial interface.
- 2 If data remains in the buffer, printing occurs after supplying paper.
- 3 Set a new paper roll in accordance with “4.4 Setting/Replacing Paper Roll”.
- 4 After paper setting, Busy (DTR), Fault, and Perror outputs are cleared. For details, refer to “Appendix 4. Parallel Interface” and “Appendix 5. Serial Interface”.

4.10 Paper Near-End Sensor (when PHU is used)

- 1 When the print paper remainder becomes low, the paper near-end (PNE) sensor sends a signal to the computer telling the paper is low and stops printing. This function is enabled or disabled by the DIP switch. For DIP switch setting, refer to “5.2 DIP Switches”.
- 2 The PNE sensor can be adjusted up to $\phi 50$ by loosening the top screw.
- 3 Set a new paper roll in accordance with “4.4 Setting/Replacing Paper Roll”.



4.11 Auto Loading

- 1 This printer is provided with an automatic paper loading function. When the paper end sensor is cleared, a certain amount of paper is fed about one second thereafter.
- 2 If no paper feed occurs, remove the paper from the slot completely and then insert the paper again.



CAUTION

- While auto loading is in process, do not touch the paper roll by hand. Poor paper feed or paper skew may occur.
- When inserting the paper, do it till the paper reaches the platen roller surely. Unless the paper touches the platen roller, paper feed is not available, or damage to the print head may occur.

4.12 Paper Retraction

- 1 This printer has a function of automatically collecting the ejected paper. This function is enabled or disabled by the DIP switch. For DIP switch setting, refer to “5.2 DIP Switches”.
- 2 After print paper is cut, paper is collected after a certain period of time has passed with the presenter loaded with paper
- 3 The time can be adjusted by a command.

4.13 Self-printing

- 1 This printer has a function of printing a set of predetermined characters. Turn on the printer while pressing the FEED switch. ROM version, DIP switch status, and built-in characters are printed.
- 2 To return to the normal operating condition, turn the printer off and then turn the printer on again.







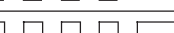
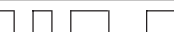


CAUTION

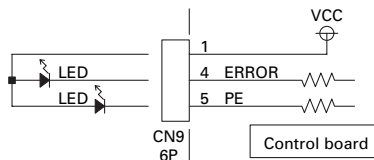
Do not print with low paper supply.

4.14 Operation Panel and Error Indication

This function is assigned to CN9 on the control board.
The following indications can be obtained by directly connecting LED externally.

- 1 **ERROR Output**
The error contents are indicated by the status of output. The output is also given when waiting for execution of macro. (For details, refer to Command Details, Macro Execution Command.)
- 2 **PE Output**
The PE Output is given in no paper condition.

Error Indication	ERROR	PE	Recovery
Paper end	OFF	Lights	Set a new paper roll.
Paper near-end	OFF	Lights	Set a new paper roll.
Head up	Lights	OFF	Close the cover.
Memory check error		OFF	Not recoverable.
Head overheat		OFF	Automatically recovers when the temperature returns to normal.
Cutter motor lock		OFF	Remove the jammed paper.
Macro execution wait		OFF	Press the FEED switch.
Low voltage error		OFF	Not recoverable.
High voltage error		OFF	Not recoverable.
Presenter error		OFF	Press the FEED switch.
Black marked paper detection error		OFF	Sets the paper with specified marking.



Description of Errors

Paper end:

When the paper roll has run out, the Paper end sensor located in the paper path near the print head detects the end of the paper roll, causing the PE to be output and the printing to stop. (See “Selecting the paper sensor valid for paper end signal output” and “Selecting the Paper Near-End sensor valid for print stop” in Print Control Functions.)

Paper near-end:

When the paper roll diameter is reduced to the lower limit, the Paper near-end sensor is activated and causes the PE to be output, indicating that the paper supply has become low. (See “Selecting the paper sensor valid for paper end signal output” and “Selecting the Paper Near-End sensor valid for print stop” in Print Control Functions.)

Head up:

When the head up lever is raised, the head up sensor is activated, causing ERROR to be output and the printing to stop.

Head overheat:

To protect the print head from overheating, the head temperature sensor is activated if the head temperature rises over approx. 65°C, causing ERROR to be output and the printing to stop. Printing resumes automatically when the head temperature lowers below 60°C.

Cutter motor lock:

While the cutter motor is running, if the cutter position sensor inside the cutter unit keeps ON or OFF for approx. 1 second or more, the printer judges that the motor has locked, causing the cutter operation and printing operation to stop. (See “4.7 Removing Cutter Lock”.)

Low voltage error:

This error occurs when the voltage supplied to the printer is too low. If this error occurs, turn the printer power off immediately.

High voltage error:

This error occurs when the voltage supplied to the printer is too high. If this error occurs, turn the printer power off immediately.

Presenter error:

This error occurs when the presenter cannot eject paper or it cannot collect the ejected paper. To clear this error, press the FEED switch.

Black mark detection error:

This error occurs when the printer cannot detect the black mark. If this error occurs, turn the printer power off and confirm the paper and DIP switch setting.

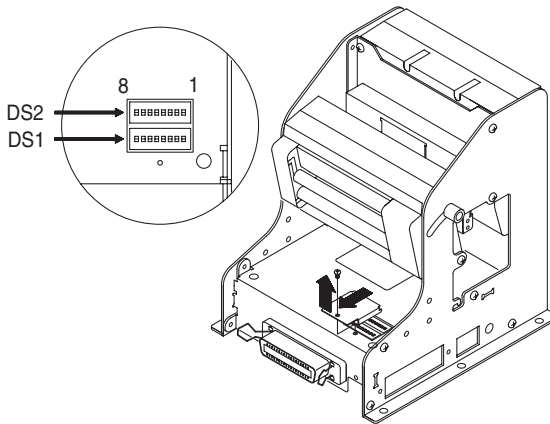
5. SETTING DIP SWITCHES

5.1 Location of DIP Switches

DIP switch is located at the top of the printer.

DIP switch setting with the printer power on is not valid. After setting, turn the printer power on.

- 1 Turn the printer power off.
- 2 Remove the screw from the DIP switch cover. (Be sure not to have the screw be lost.)
- 3 Move the DIP switch cover toward the screw mount and then remove it in the arrow direction.
- 4 Set the DIP switch.
- 5 After setting, remount the cover and screw it.



CAUTION

- Pay attention to the edge of the DIP switch cover.
- The screw used is M2 × 3 mm. Do not use screws of other size. (If the screw is lost, use the screw of the same size. Do not use longer size.)
- Turn the printer power off before setting DIP switches. Otherwise, a failure may occur.
- Do not use keen edged tool when setting the DIP switch.
- Do not use with the DIP switch cover removed.

5.2 DIP Switches

DIP Switch 1

No.	Function	ON	OFF	Factory Setting	
				Parallel	Serial
1-1	Auto cutter	Available	Not available	ON	
1-2	CR mode	LF operation	Ignored	OFF	
1-3	Bit length (Note 1)	7-bit	8-bit	OFF	
1-4	Communication mode (Note 1)	Xon/Xoff	DTR/DSR	OFF	
1-5	Interface and baud rate	(See (1) of the table on next page.)		OFF	ON
1-6				OFF	ON
1-7				OFF	ON
1-8				OFF	ON

Note 1: Bit length and communication mode settings (DS1-3, -4) are invalid for parallel interface.

DIP Switch 2

No.	Function	ON	OFF	Factory Setting
2-1	Language	USA	Japan	OFF (Note 2)
2-2	Paper feed at power on	Not available	Available	OFF
2-3	Operation with paper loaded on presenter	Available	Not available	OFF
2-4	PNE sensor	Invalid	Valid	OFF (Note 2)
2-5	Paper selection	Black marked paper	Normal thermal paper	OFF
2-6	Print density	(See (2) of the table on next page.)		ON
2-7				OFF
2-8	Paper retraction	Valid	Invalid	OFF

Note 2: Depends on the destination.

(1) Interface and Baud rate

DS1-8	DS1-7	DS1-6	DS1-5	Input Method	Parity	Baud Rate
OFF	OFF	OFF	OFF	Parallel input	—	—
OFF	OFF	OFF	ON	Serial input	None	4,800 bps
OFF	OFF	ON	OFF	"	"	9,600 bps
OFF	OFF	ON	ON	"	"	19,200 bps
OFF	ON	OFF	OFF	"	"	38,400 bps
OFF	ON	OFF	ON	"	Odd	4,800 bps
OFF	ON	ON	OFF	"	"	9,600 bps
OFF	ON	ON	ON	"	"	19,200 bps
ON	OFF	OFF	OFF	"	"	38,400 bps
ON	OFF	OFF	ON	"	Even	4,800 bps
ON	OFF	ON	OFF	"	"	9,600 bps
ON	OFF	ON	ON	"	"	19,200 bps
ON	ON	OFF	OFF	"	"	38,400 bps
ON	ON	OFF	ON	"	None	4,800 bps
ON	ON	ON	OFF	"	"	9,600 bps
ON	ON	ON	ON	"	"	19,200 bps

(2) Print density

Print Density	Level 1	Level 2	Level 3	Level 4
DS2-6	OFF	ON	OFF	ON
DS2-7	OFF	OFF	ON	ON

Note: When the print density level is set to 3 or greater, the print speed is likely to decrease.

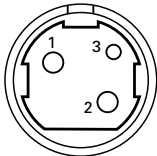
6. POWER CONNECTOR

6.1 Power Connector Specifications

The following is a connector for the power from dedicated AC adapter.

Power connector pin configuration

No.	Function
1	+24 V
2	GND
3	N.C
SHELL	F.G



The diagram shows a top-down view of a circular power connector. It features three circular pins arranged in a triangle: pin 1 is at the top-left, pin 2 is at the bottom, and pin 3 is at the top-right. The pins are surrounded by a shell, which is indicated by the 'SHELL' label in the table above. The shell is connected to the 'F.G' (Frame Ground) function.

Connector used: TCS7960-53-2010 (Hoshiden) or equivalent
Connector applicable: TCP8927-63-1100 (Hoshiden) or equivalent
TCP8927-53-1100 (Hoshiden) or equivalent

7. MAINTENANCE AND SERVICE

For the information on maintenance and service, please contact our dealer.

DEUTSCH

INHALTSVERZEICHNIS

1. ÜBERSICHT	3
1.1 Eigenschaften	3
1.2 Auspacken	3
2. TECHNISCHE DATEN	4
2.1 Schlüssel zu den Modellbezeichnungen	4
2.2 Technische Daten	6
2.3 Geeignetes Papier und Druckzone	7
3. AUSSEHEN UND LAGE DER TEILE	9
3.1 PPU (Auswurfspalte, automatischer Papierschneider, Druckermechanismus)	9
3.2 PHU (Paper Holding Unit, Papierrollehalter Kaufoption)	10
4. BETRIEB	11
4.1 Anschließen des Netzteils und Netzkabels	11
4.2 Anschließen der Schnittstellenkabel	13
4.3 Anschließen des PHU	14
4.4 Einlegen/Auswechseln der Papierrollen	15
4.5 Beseitigen des Restpapiers	16
4.6 Beseitigen von Papierstaus	17
4.7 Lösen des geschlossenen automatischen Papierschneiders	19
4.8 Funktion der Vorschubtaste (FEED)	19
4.9 Papierende-Funktion	19
4.10 Paper-Near-End-Funktion (Bei Verwendung von PHU)	20
4.11 Automatischer Papiereinzug	20
4.12 Automatische Papierrückführung	20
4.13 Statusausdruck	21
4.14 Bedienungsfeld und Fehleranzeige	21
5. EINSTELLEN DER DIP-SCHALTER	23
5.1 Lage der DIP-Schalter	23
5.2 DIP-Schalter –Einstelltabellen	24
6. EXTERNES NETZTEIL	26
6.1 Technische Daten der Gleichstrombuchse	26
7. WARTUNG UND KUNDENDIENST	27

1. ÜBERSICHT

Der Drucker PPU-231 II ist ein Thermo-Zeilendrucker, der als Terminal für Datenübertragungsgeräte, Messungsgeräte, Automaten für den Außenbetrieb, oder als Bon- oder Coupondrucker dienen kann.

Durch seine vielseitigen Funktionen ist der Drucker zu verschiedenen Anwendungen geeignet.

Bitte lesen Sie dieses Benutzerhandbuch vor der Inbetriebnahme aufmerksam durch, um schnell mit dem Drucker vertraut zu werden.

1.1 Eigenschaften

- kompakt und leicht, nimmt nur wenig Raum ein.
- Geräuscharmer Thermo-Zeilendrucker mit hoher Druckgeschwindigkeit
- Mit Druckkopf mit langer Lebensdauer. Hohe Zuverlässigkeit durchs einfachen Mechanismus
- Einfaches Einlegen der Papierrolle mit Hilfe automatisches Papiereinzuges
- Eingebauter Pufferspeicher für die Eingangsdaten
- Strichcode-Drucken. Ermöglicht durch Verwendung spezieller Befehle.
- Seiten-Betriebsart. Sie können die Seiten beliebig layouts.
- Registrieren benutzerdefinierter Zeichen und Logos im Flash-Speicher möglich.
- Registrieren von Sonderzeichen möglich. (ANK 95 Zeichen)
- Niedrige Kosten
- Flexible Installierung von einzelnen Teilen
- Verwendung großer Papierrollen möglich.
- Automatische Papierrückführung.

1.2 Auspacken

Beim Auspacken kontrollieren Sie, ob alle aufgeführten Teile vorhanden sind:

- Ein Drucker 1
- Ein Benutzerhandbuch 1



ACHTUNG

- Stellen Sie den Drucker auf ebenem und stabilem Gerät auf.
- Halten Sie den Drucker von direkter Sonneneinstrahlung oder der Hitze aus Heizungen fern.
- Vermeiden Sie die Verwendung des Druckers in hoher Temperatur, hoher Luftfeuchtigkeit, oder in einer Umgebung, in welcher der Drucker leicht verschmutzt werden kann.
- Benutzen Sie den Drucker nicht in einer Umgebung, in der Kondensation auftritt. Sollte sich Kondenswasser niedergeschlagen haben, das Gerät ausgeschaltet lassen, bis die Feuchtigkeit vollständig abgetrocknet ist.

2. TECHNISCHE DATEN

2.1 Schlüssel zu den Modellbezeichnungen

Die Modellbezeichnungen der Druckermodelle sind nach folgendem Schema aufgebaut:

2.1.1 PPU-Reihe (Printer Presenter Unit)

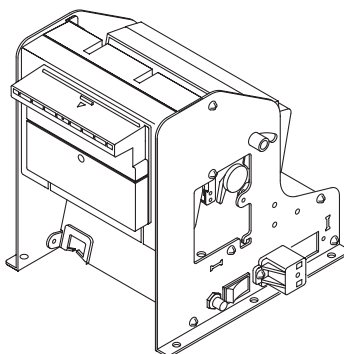
PPU-231 II R E M

Modellname _____

Schnittstelle _____
R: Seriell (RS-232C)
P: Parallel (entspricht IEEE 1284)

Zeichensatz _____
U: USA (mit Inch-Schrauben)
E: Europa (mit Millimeter-Schrauben)

Papier-Detektion-Funktion _____
Kein Kennbuchstabe: Normal (mit Ende-Funktion)
M: Mit schwarze-Markierungen-Detektion



* Diese Schrauben werden für die Befestigung der Seriell-Schrittstelle verwendet.

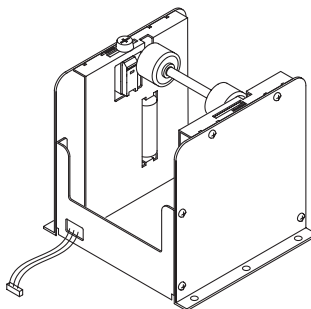
2.1.2 Zubehör

(1) PHU-Reihe (Paper Holding Unit)

PHU-13 1

Modellname _____

PNE-Sensor _____

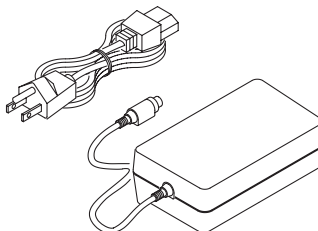


(2) 31AD-Reihe(Netzteile)

31AD-E

Modellname _____

Netz-kabel _____
U: USA (130V dreiadriges AC-Netz-kabel)
E: Europa(230V Class I-Netz-kabel)

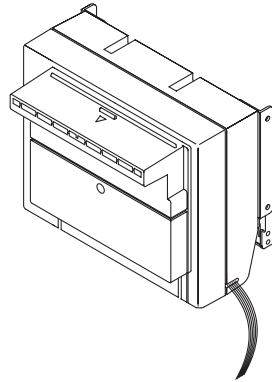


2.1.3 Sonstiges

Die folgenden Geräte sind als Einzelteile erhältlich.

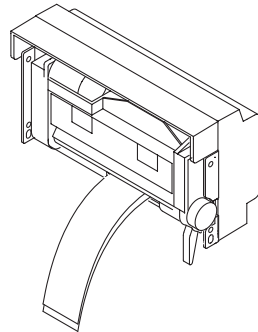
(1) PRU-Reihe (Presenter Unit)

PRU-130 II



(2) PMU-Reihe (Printer Mechanics Unit)

PMU-230



(3) BD2-Reihe (Kontrollplatine, mit Zubehör)

BD2-380B P E

Modelname _____

Schrittstelle _____

R: Seriell (RS-232C)

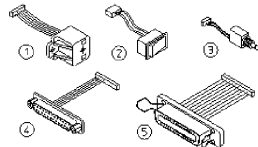
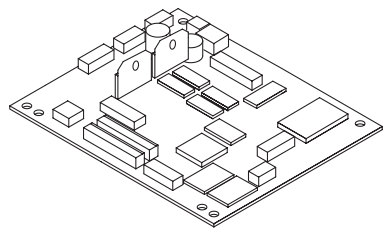
P: Parallel (entspricht IEEE 1284)

Zeichensatz _____

U: USA (mit Inch-Schrauben)

E: Europa (mit Millimeter-Schrauben)

* Diese Schrauben werden für die Befestigung der Seriell-Schrittstelle verwendet.



* Weitere Informationen zu PHU, PRU, PMU und BD2 finden Sie im Benutzerhandbuch des jeweiligen Geräts.

2.2 Technische Daten

Gegenstand \ Modell	PPU-231III-RU PPU-231III-PU	PPU-231III-RE PPU-231III-PE
Druckprinzip	Thermo-Zeilenpunktdruck	
Druckbreite	72 mm/756 Punkte	
Punktdichte	8 × 8 Punkte/mm (203 dpi)	
Druckgeschwindigkeit	62,5 mm/sek. (max.), 500 Punktzeilen/sek.	
Anzahl Druckspalten	Font A: 48 Spalten (12 × 24 Punkte) Font B: 64 Spalten (9 × 24 Punkte)	
Zeichengröße	Font A: 1,25 × 3,00 mm Font B: 0,88 × 3,00 mm	
Zeichentyp-Codeseite	Alphanumerische Zeichen, internationale Zeichen, Codeseiten 850, 852, 857, 860, 863, 865, 866 und Windows Codeseiten	
Logo-Registrierung/Druck	Benutzerdefinierte Zeichen und Logos im Flash-Speicher registrierbar	
Strichcode-Typen	UPC-A/E, JAN(EAN)13/8-Spalten, ITF CODE 39, CODE 128, CODABAR, CODE 93	
Zeilenabstand	4,23 mm (1/6 Zoll) mit Befehlen wählbar	
Papierrolle (Siehe "Geeignetes Papier")	Thermopapierrolle: Breite 80 mm Der äußere Durchmesser: max. ø 203 mm Der innere Durchmesser: ø 25,4 mm Dicke 60-85 µm	
Auswurfspalte	Normale Auswurflänge: 84-170 mm	
Schnittstellen	Seriell (RS-232C) Parallel (entspricht IEEE1284, CENTRONICS)	
Eingangspufferspeicher	4 KB	
Versorgungsspannung	24 V ±7%	
Leistungsaufnahme	100 W	
Externes Netzteil	Nenneingang: AC 100 bis 240 V, 50/60 Hz, 120 VA Nennausgang: DC 24V, 1,9 A	
	Typ	31AD-U
Gewicht	PPU: 1,6 kg (Kontrollplatine inklusiv) PHU: 0,9 kg (ohne Papierrolle)	
Außenabmessungen	145 (B) × 160 (T) × 172 (H) mm (Siehe Appendix 1 "Outline Drawing")	
Betriebstemperatur/ Luftfeuchtigkeit	5 bis 40°C, 35 bis 85% rel. Luftfeuchtigkeit (nicht kondensierend)	
Lagerungstemperatur/ Luftfeuchtigkeit	-20 bis 60°C, 10 bis 90% rel. Luftfeuchtigkeit (nicht kondensierend)	
Zuverlässigkeit	Lebensdauer Druckkopf: Impulsfestigkeit 50 Millionen Impulse (Druckrate: 12,5%) Verschleißfestigkeit 30 km (normale Temperatur/ Luftfeuchtigkeit, empfohlenes Papier) Lebensdauer autom. Papierschneider: 300.000 Schneidvorgänge (normale Temperatur/Luftfeuchtigkeit, empfohlenes Papier)	
Sicherheitsstandard*1	UL, C-UL, FCC Class A	TÜV, GS, CE-Zeichen

*1 Erfüllte Sicherheitsnormen bei Verwendung der von CITIZEN SYSTEMS hergestellten externen Netzteile(31AD-Reihe)

2.3 Geeignetes Papier und Druckzone

2.3.1 Geeignetes Papier

(1) Thermopapierrolle

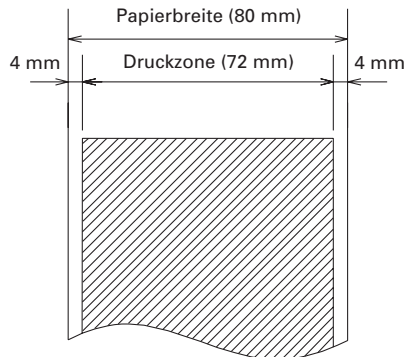
- Typ: Thermopapier
- Breite: 80 +0/-1 mm
- Dicke: 60 bis 85 μm
- Äußerer Durchmesser: max. $\phi 203$ mm (Bei Verwendung von PHU)
- Druckseite: Äußere Seite der Rolle
- Empfohlene Papiersorten: TF50KS-E2D von Nippon Paper oder Äquivalent
- Innerer Durchmesser: $\phi 25,4$ mm



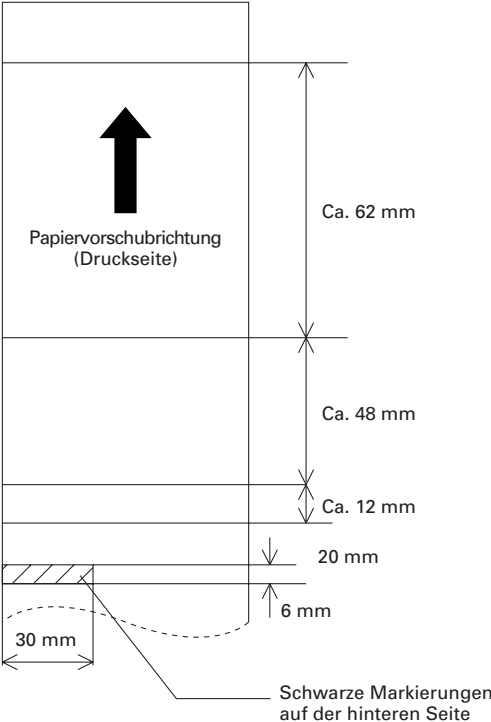
ACHTUNG

- Bei Verwendung von Rollenpapier, das nicht der obigen Spezifikation entspricht, können sich Abweichungen im Druckton ergeben. Passen Sie den Druckton über die DIP-Schalter an (siehe Abschnitt 5 „Einstellen der DIP-Schalter“)
- Befestigen Sie das Papierende nicht mit Klebemittel am Kern.
- Halten Sie das Papier fern von Chemikalien und Ölen, da das Papier gefärbt oder entfärbt werden kann.
- Kratzen Sie das Papier nicht mit dem Fingernagel oder Metalwaren, denn das bedruckte Papier kann unerwünschte Verfärbung bekommen.
- Bei Temperaturen über ca. 70°C treten Verfärbungen auf. Schützen Sie das Papier vor Hitze, Feuchtigkeit und Licht.

2.3.2 Druckzone

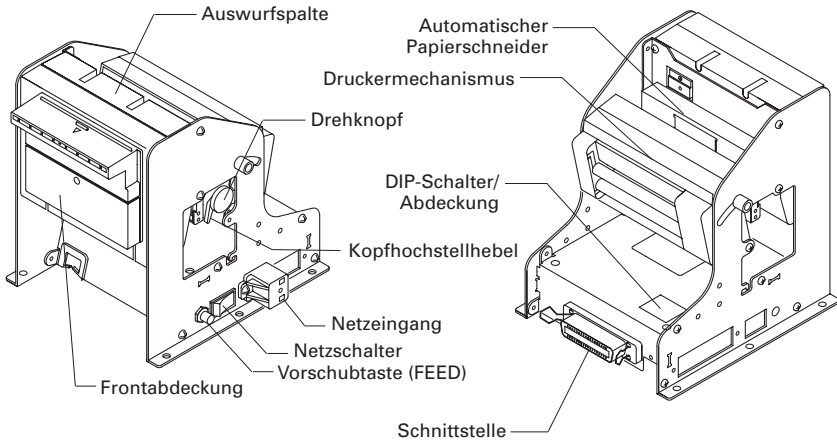


2.3.3 Sensor und Papiermesserposition



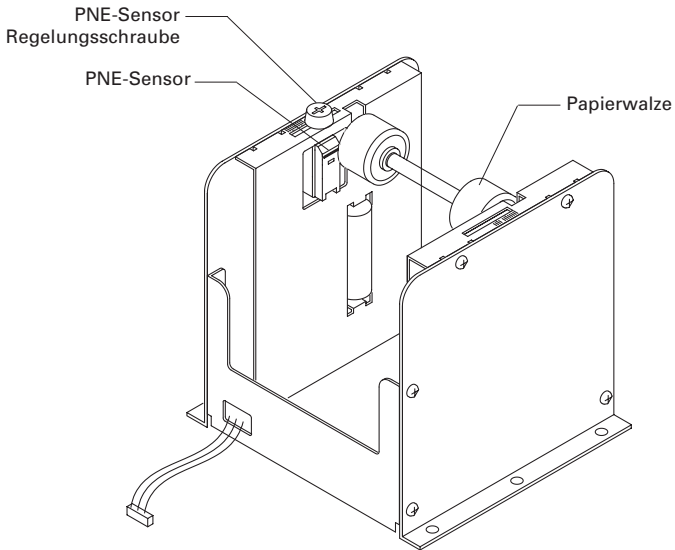
3. AUSSEHEN UND LAGE DER TEILE

3.1 PPU (Auswurfspalte, automatischer Papierschneider, Druckermechanismus)



- (1) **Netzschalter**
Durch diesen Schalter wird der Drucker ein- und ausgeschaltet.
(Installierung an beiden Seiten möglich)
- (2) **Vorschubtaste (FEED)**
Wenn Sie diese Taste drücken, wird das bedruckte Papier weitergeführt, geschnitten und aus Auswurfspalte ausgeworfen.
(Installierung an beiden Seiten möglich)
- (3) **Netzeingang**
Hier wird das externe Netzteil angeschlossen.
(Installierung an sechs Stellen, die in 4.1.1 gezeigt werden, möglich)
- (4) **Auswurfspalte**
Die Auswurfspalte schickt das bedruckte Papier weiter.
- (5) **Automatischer Papierschneider**
Der Papierschneider schneidet automatisch das bedruckte Papier ab.
- (6) **DIP-Schalter**
Die DIP-Schalter dienen dazu, die Funktionen des Druckers einzustellen.
(Mehr Informationen finden Sie auch in Abschnitt 5. „Einstellung der DIP-Schalter“)
- (7) **Schnittstelle**
Für Datenübertragung wird das Schnittstellenkabel hier angeschlossen. Es gibt zwei verschiedene Typen: Seriell und Parallel.
- (8) **Kopfhochstellhebel**
Beim Einlegen und Auswechseln der Papierrolle wird der Hebel hochgehoben.
- (9) **Drehknopf**
Durch diesen Drehknopf können Sie das Papier per Hand voranschicken.
- (10) **Frontabdeckung**
Das restliche Papier in der Auswurfspalte kann hier entnommen werden, wenn Sie diese Frontabdeckung öffnen.

3.2 PHU (Paper Holding Unit, Papierrollehalter Kaufoption)



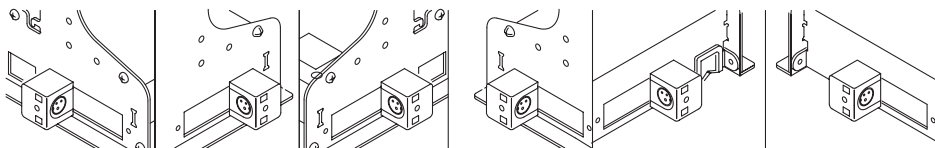
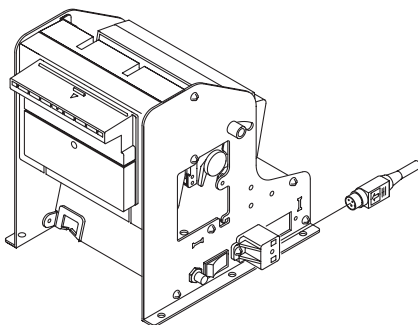
- (11) **PNE (Paper-Near-End)-Sensor**
Der Sensor weist darauf hin, dass die Papierrolle fast aufgebraucht ist.
- (12) **PNE-Sensor-Regelungsschraube**
Durch diese Schraube können Sie den PNE-Sensor bewegen, um die Restpapiermenge zu regeln.
- (13) **Papierwalze**
Die Papierwalze hält die Papierrolle.

4. BETRIEB

4.1 Anschließen des Netzteils und Netzkabels

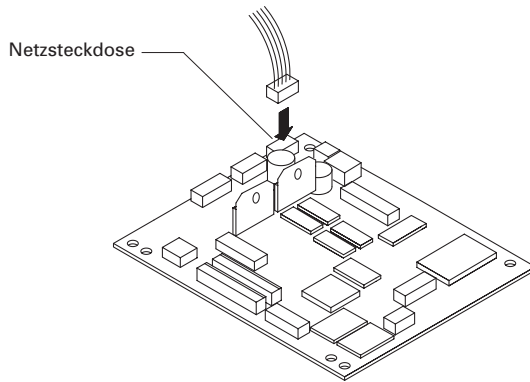
4.1.1 Ausführung mit externem Netzteil

- 1 Schalten Sie den Drucker aus.
- 2 Überprüfen Sie, ob die flache Seite des Gleichstromsteckers des Netzteils richtig gewendet ist. Dann schließen Sie ihn an die Buchse des Druckers bis zum Anschlag an. Die Gleichstrombuchse kann an einer von sechs Stellen des Druckers installiert werden, wie folgende Bilder zeigen.
- 3 Schließen Sie das Netzkabel an den Netzeingang und den Netzstecker an eine geeignete Netzsteckdose an.



4.1.2 Direktes Anschließen an die Platine

- 1 Schalten Sie den Drucker aus.
- 2 Schließen Sie den Netzstecker an die Netzsteckdose auf der Platine an.

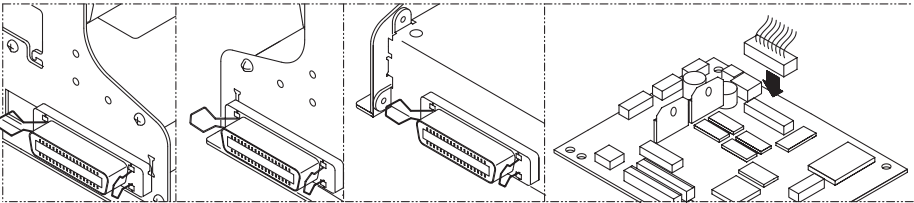
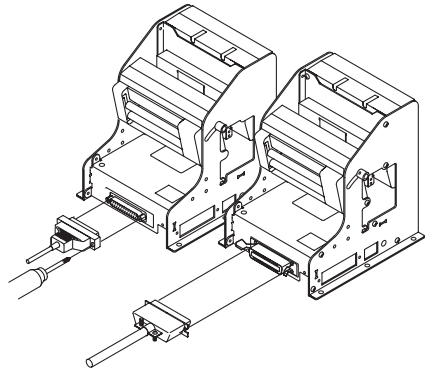


ACHTUNG

- Benutzen Sie das externe Netzteil angewiesenen Typs.
- Ziehen Sie nicht am Kabel, sondern am Stecker, wenn Sie das Kabel vom Gerät oder der Steckdose abtrennen. Andernfalls kann das Kabel beschädigt werden und es kann zu Brand, elektrischem Schlag oder Bruch des Kabels kommen.
- Benutzen Sie zur Stromversorgung eine Netzsteckdose, die nicht mit einem elektromagnetische Felder verursachenden Gerät geteilt wird.
- Bei Gewitter ziehen Sie den Netzstecker aus der Netzsteckdose und benutzen Sie den Drucker nicht. Durch Blitz kann das Gerät Brand oder elektrischen Schlag verursachen.
- Zur Sicherheit ziehen Sie den Netzstecker heraus, wenn Sie den Drucker lange nicht benutzen.

4.2 Anschließen der Schnittstellenkabel

- 1 Schalten Sie den Drucker (sowie auch den angeschlossenen Hostcomputer) aus.
- 2 Richten Sie den Stecker des Schnittstellenkabels korrekt aus und schließen Sie ihn an die Schnittstelle an.
- 3 Befestigen Sie das Schnittstellenkabel wie unten gezeigt.
Seriellles Schnittstellenkabel: Den Stecker mit den Schrauben befestigen.
Paralleles Schnittstellenkabel: Den Stecker mit den Klammern befestigen.
- 4 Schließen Sie das andere Ende des Schnittstellenkabels an den Hostcomputer an.

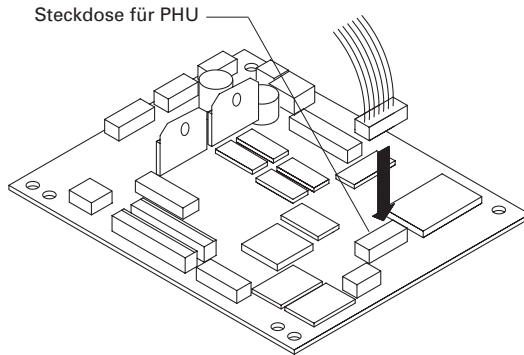


ACHTUNG

- Bitte überprüfen Sie den Schnittstellenstecker und das Kabel daraufhin, ob die Stiftanordnung des Steckers mit dem Anschluss übereinstimmt. In Appendix 4 "Parallele Schnittstelle" und Appendix 5 "Serielle Schnittstelle" finden Sie mehr Informationen dazu. Falsche Verdrahtungen können zu Störungen nicht nur des Druckers sondern auch des Hostcomputers führen.
- Beim Abtrennen des Kabels ziehen Sie unbedingt am Stecker, andernfalls kann das Kabel beschädigt werden.
- Schließen Sie das Kabel fest an. Durch eine lockere Verbindung kann der Datenverkehr gestört werden.

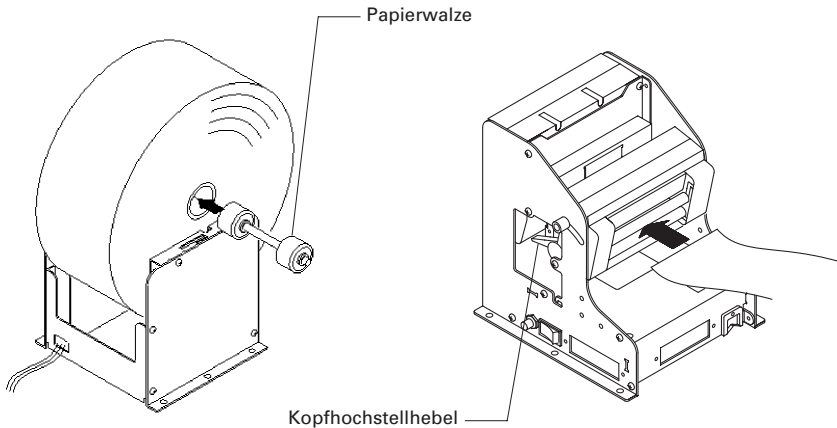
4.3 Anschließen des PHU

- 1 Schalten Sie den Drucker aus.
- 2 Schließen Sie den Stecker richtig an die Steckdose auf der Kontrollplatine des Druckers an.



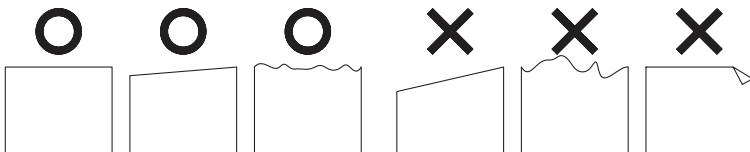
4.4 Einlegen/Auswechseln der Papierrollen

- 1 Schneiden Sie das Papierende in nahezu rechtem Winkel ab.
- 2 Stecken Sie die Papierwalze in das Loch der Papierrolle.
- 3 Kontrollieren Sie die Winkelrichtung der Papierrolle und legen Sie die Papierrolle richtig in die Halterung ein.
- 4 Überprüfen Sie, ob der Drucker eingeschaltet ist.
- 5 Wenn Restpapier im Drucker bleibt, beseitigen Sie es wie in Abschnitt 4.5 beschrieben.
- 6 Heben Sie den Kopfhochstellhebel am Druckermechanismus nach oben.
- 7 Führen Sie das Papierende gerade in die Papiereinzugsöffnung des Druckermechanismus ein.
- 8 Wenn Sie den Kopfhochstellhebel nach unten drücken, wird das Papier automatisch durch die Rollen eingezogen (Siehe Abschnitt 4.11 "Automatischer Papiereinzug") und geschnitten. Nachdem Sie das geschnittene Papier entfernt haben, ist der Drucker druckbereit.



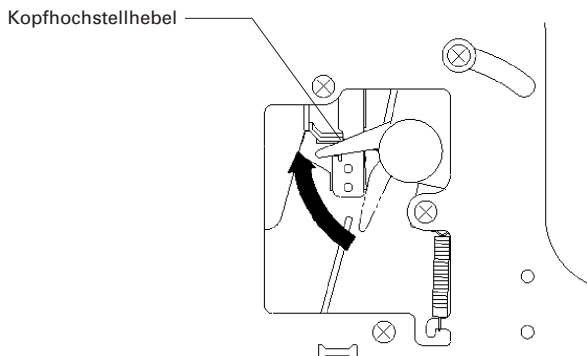
ACHTUNG

- Verwenden Sie unbedingt Papierrollen des angegebenen Typs.
- Bei Verwendung anderer Papierrollentypen ist die angegebene Druckqualität und die Funktion der Auswurfspalte usw. nicht gewährleistet. Außerdem kann sich die Lebensdauer des Druckkopfs verkürzen.
- Das Papierende darf nicht schief, geknickt oder zerrissen sein. Das verursacht Papierstau oder Papiereinzugsfehler.
- Wenn das Papier sich biegt, drehen Sie die Papierrolle zurück und beseitigen Sie die Erschlaffung.
- Wenn das Papier schief eingezogen wird, heben Sie den Kopfhochstellhebel nach oben. Dann legen Sie das Papier richtig ein oder wiederholen den ganzen Vorgang.
- Während des Drucks sollten Sie die Papierrolle nicht drücken oder halten. Das kann zu Papierstau führen.
- Achten Sie drauf, dass sofort nach dem Einlegen der Papierrolle gedruckt wird, falls im Druckerpuffer Daten vorhanden sind.



4.5 Beseitigen des Restpapiers

- 1 Heben Sie den Kopfhochstellhebel nach oben. Dadurch wird der Druckkopf von den Rollen getrennt.
- 2 Ziehen Sie vorsichtig das Papier heraus.



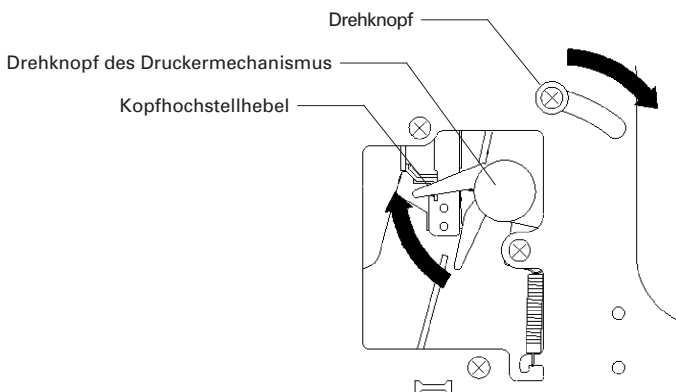
ACHTUNG

- Vergessen Sie nicht, den Kopfhochstellhebel nach oben zu heben, da der Kopf beschädigt werden kann.
- Der Druckermechanismus kann kurz nach dem Drucken sehr heiß sein. Berühren Sie ihn nicht mit der Hand.

4.6 Beseitigen von Papierstaus

4.6.1 Aus Druckermechanismus

- 1 Schalten Sie den Drucker aus.
- 2 Schneiden Sie das Papier in der Nähe der Papiereinzugsöffnung ab.
- 3 Drehen Sie den Drehknopf in Richtung des Pfeils, dadurch trennen sich der Druckermechanismus und der automatische Papierschneider.
- 4 Heben Sie den Kopfhochstellhebel hoch, damit der Druckkopf sich von den Rollen trennt.
- 5 Drehen Sie den Drehknopf am Druckermechanismus und beseitigen Sie das restliche Papier aus dem Papierweg.
- 6 Drücken Sie den Kopfhochstellhebel nach unten und bewegen den Druckermechanismus so in die Ausgangsposition zurück.

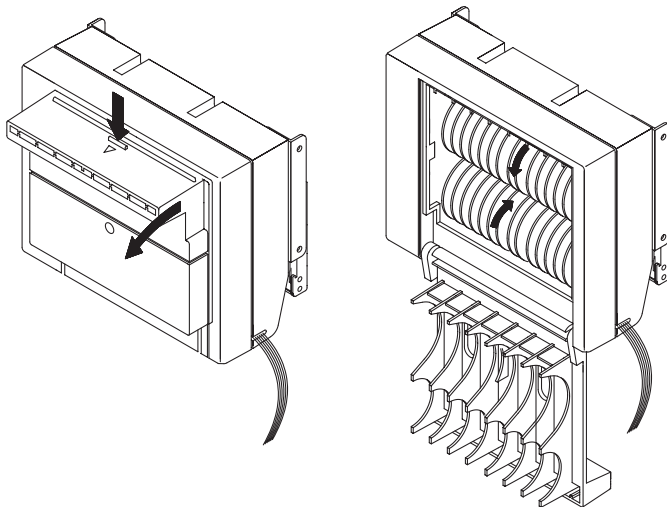


ACHTUNG

- Unmittelbar nach dem Drucken ist der Druckkopf sehr heiß. Berühren Sie ihn nicht mit der Hand. Berühren Sie das Heizelement des Druckkopfes nicht mit bloßen Händen oder mit Metallgegenständen.

4.6.2 Auswurfspalte

- 1 Schalten Sie den Drucker aus.
- 2 Öffnen Sie die Frontabdeckung.
- 3 Drehen Sie die Rollen mit der Hand und beseitigen Sie komplett das Papier aus der Auswurfspalte.
- 4 Wenn sich das Papier zwischen der Auswurfspalte und dem automatischen Papierschneider staut, nehmen Sie eine Pinzette zum Beseitigen.
- 5 Schließen Sie die Frontabdeckung.

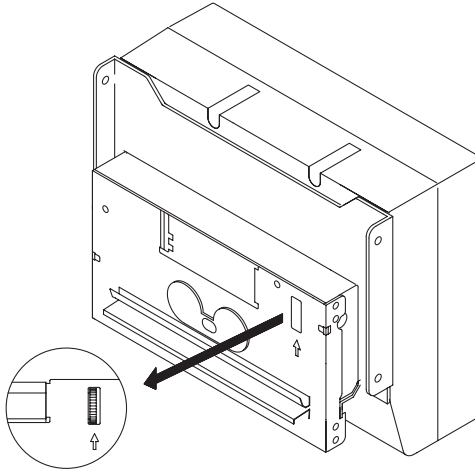


ACHTUNG

Drehen Sie die Rollen nicht gewaltsam. Dadurch können Beschädigungen entstehen.

4.7 Lösen des geschlossenen automatischen Papierschneiders

- 1 Beseitigen Sie das Papier auf dem Papierweg (Siehe Abschnitt 4.6 „Beseitigen des Papierstaus“)
- 2 Schalten Sie den Drucker ein. Der automatische Papierschneider wird neu initialisiert und das Messer kehrt in den Papierschneider zurück.
- 3 Wenn das Messer mit diesem Verfahren doch nicht zurückkehrt, schalten Sie den Drucker aus. Dann drehen Sie den Notdrehknopf des Papierschneiders in Richtung des Pfeils und lassen das Messer zurückkehren.
- 4 Nehmen Sie die Pinzette und beseitigen Sie das gestaute Papier.



4.8 Funktion der Vorschubtaste (FEED)

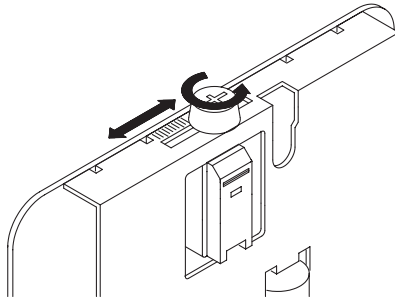
- 1 Nach dem Drücken der Vorschubtaste wird das Papier weitergeführt, geschnitten und durch die Auswurfspalte ausgeworfen.

4.9 Papierende-Funktion

- 1 Wenn kein Papier mehr vorhanden ist, schickt der Drucker dem Hostcomputer durch die Schnittstelle ein Signal. Bei der parallelen Schnittstelle wird ein Busy-, Fault- und PError-Signal, bei der seriellen Schnittstelle ein DTR-Signal gesendet.
- 2 Wenn im Pufferspeicher Daten vorhanden sind, werden sie nach dem Papierwechsel gedruckt.
- 3 Folgen Sie dem Verfahren in Abschnitt 4.4 „Einlegen/Auswechseln von Papierrollen“ und legen Sie eine neue Papierrolle ein.
- 4 Nach dem Auswechseln der Papierrolle wird das Busy-(DTR), Fault- und PError-Signal gestoppt. Weitere Information zum Thema Schnittstelle finden Sie in Appendix 4 „Parallele Schnittstelle“ und in Appendix 5 „Serielle Schnittstelle“.

4.10 Paper-Near-End-Funktion (Bei Verwendung von PHU)

- 1 Wenn das Papier fast aufgebraucht ist, wird das dem Hostcomputer durch den PNE-Sensor signalisiert. Danach wird der Druckvorgang abgebrochen. Diese Funktion ist durch die DIP-Schalter einstellbar. Mehr über die Einstellung erfahren Sie im Abschnitt 5.2 "Einstellen der DIP-Schalter".
- 2 Der PNE-Sensor ist dadurch einstellbar, die Regelungsschraube oben zu lösen und den Sensor zu bewegen. Der Durchmesser des Restpapiers kann bis zu Ø50 mm eingestellt werden.
- 3 Folgen Sie dem Verfahren im Abschnitt 4.4 „Einlegen/Auswechseln von Papierrollen“ und legen Sie eine neue Papierrolle ein.



4.11 Automatischer Papiereinzug

- 1 Der Drucker zieht das Papier selber ein. Wenn der Papierende-Sensor ausreichend Papier feststellt, zieht der Drucker nach einer Sekunde automatisch eine bestimmte Länge des Papiers ein.
- 2 Wenn das Papier nicht richtig eingezogen wird, nehmen Sie das Papier aus der Einzugsöffnung komplett heraus und wiederholen das Verfahren.



ACHTUNG

- Während der Drucker das Papier einzieht, berühren Sie das Papier nicht mit der Hand oder ähnlichem. Andernfalls wird das Papier falsch oder schief eingezogen.
- Stecken Sie das Papierende so ein, dass es die Rollen berührt. Ohne Kontakt können die Rollen das Papierende nicht einziehen. Es kann dadurch auch zu Beschädigungen des Druckkopfs kommen.

4.12 Automatische Papierrückführung

- 1 Der Drucker kann automatisch das bedruckte und ausgeworfene Papier zurückziehen. Diese Funktion können Sie durch die DIP-Schalter ein- und ausschalten. Mehr Informationen dazu finden Sie im Abschnitt 5.2 "Einstellen der DIP-Schalter".
- 2 Wenn das bedruckte und geschnittene Papier für einige Zeit in der Auswurfspalte bleibt, wird es wieder in den Drucker zurückgeführt.
- 3 Mit Befehlen können Sie die Rückführzeit einstellen.

4.13 Statusausdruck

- 1 Wenn der Drucker bei gedrückt gehaltener Vorschubtaste (FEED) eingeschaltet wird, Druckt er eine Reihe von Statusdaten (ROM-Version, DIP-Schalter-Status, druckbare Zeichen, usw.) aus.
- 2 Zum normalen Betrieb schalten Sie den Drucker einmal aus und wieder ein.








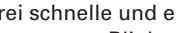

ACHTUNG


Lassen Sie den Drucker nicht die Statusdaten drucken, wenn nur wenig Papier vorhanden ist.

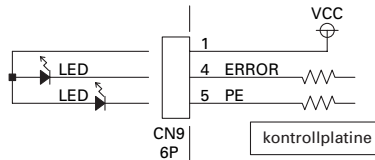
4.14 Bedienungsfeld und Fehleranzeige

Diese Funktion wird von CN9 auf der Kontrolplatine gesteuert. Durch direkten externen Anschluss an die LEDs wie der Schaltplan unten sind die folgenden Anzeigen möglich.

- 1 Fehler-LED (ERROR)
Zeigt durch Leuchten und Blinken eine Reihe von Fehlerzuständen an. Die Anzeige blinkt auch, während der Drucker auf die Ausführung eines Makros wartet. Mehr Information dazu finden Sie in „Control Command“ und „Macro Command“.
- 2 Papierende-LED (PE)
Leuchtet, wenn kein Papier mehr vorhanden ist.

Fehleranzeige	ERROR	PE	Fehlerbehebung
Papierende	Erlöschen	Leuchtet	Eine neue Papierrolle einlegen
Kurz vor Papierende	Erlöschen	Leuchtet	Eine neue Papierrolle einlegen
Kopfhochstellhebel auf	Leuchtet	Erlöschen	Den Kopfhochstellhebel nach unten drücken Speicherprüffehler
Speicherprüffehler	 Kurzes Blinken	Erlöschen	Nicht behebbar
Druckkopf überhitzt	 Langsames Blinken	Erlöschen	Automatische Behebung, wenn die Temperatur wieder normal ist
Motorblockierung des Papierschneiders	 Schnelles und langsames Blinken	Erlöschen	Den Papierstau beseitigen
Warten auf Makroausführung	 Langsames Blinken	Erlöschen	Die Vorschubtaste (FEED) drücken.
Unterspannungsfehler	 Drei schnelle und ein langsames Blinken	Erlöschen	Nicht behebbar
Überspannungsfehler	 Vier schnelle und ein langsames Blinken	Erlöschen	Nicht behebbar
Papierauswurf Fehler	 Zwei schnelle und zwei langsame Blinken	Erlöschen	Die Vorschubtaste (FEED) drücken

Fehleranzeige	ERROR	PE	Fehlerbehebung
Markierungsdetektionsfehler	 Zwei langsame und drei schnelle Blinken	Erloschen	Geeignete Papierrolle einlegen.



Fehlerbeschreibung

Papierende:

Wenn kein Papier mehr vorhanden ist, spricht ein nahe am Druckkopf auf dem Papierweg befindlicher Sensor an, woraufhin die Fehler-LED (ERROR) aufleuchtet und der Druckvorgang gestoppt wird. (Siehe „Selecting the paper sensor valid for paper end signal output“ und „Selecting the PNE-sensor valid for printstop“ in „Control Command“)

Kurz vor Papierende:

Mit abnehmendem Durchmesser der Papierrolle spricht ein Sensor an, wenn das Papierende fast erreicht ist. Die Fehler-LED (ERROR) zeigt dann durch Blinken an, dass der Papiervorrat zu Ende geht. (Siehe „Selecting the paper sensor valid for paper end signal output“ und „Selecting the PNE-sensor valid for printstop“ in „Control Command“)

Kopfhochstellhebel auf:

Wenn Sie den Kopfhochstellhebel nach oben drücken, spricht ein Sensor an und meldet den hochgestellten Zustand, wodurch die Fehler-LED (ERROR) aufleuchtet und der Druckvorgang gestoppt wird.

Druckkopf überhitzt:

Um den Druckkopf vor Überhitzung zu schützen, spricht ein Sensor an, wenn die Kopftemperatur ca. 65°C übersteigt. Dadurch blinkt die Fehler-LED (ERROR) und der Druckvorgang wird gestoppt. Das Drucken wird automatisch fortgesetzt, wenn die Kopftemperatur auf ca. 60°C abgesunken ist.

Motorblockierung des Papierschneiders:

Wenn der Sensor für die Papierschneiderposition in der Schneideeinheit länger als ca. eine Sekunde den Status ON oder OFF beibehält, folgert der Drucker, dass der Motor blockiert ist. Papierschneider und Druckvorgang werden gestoppt. (Siehe Abschnitt 4.6 „Beseitigen von Papierstaus“)

Unterspannungsfehler:

Tritt bei einem Absinken der am Drucker anliegenden Versorgungsspannung ein. Bei Auftreten dieses Fehlers ist sofort der Netzschalter auszuschalten.

Überspannungsfehler:

Tritt bei einem Ansteigen der am Drucker anliegenden Versorgungsspannung ein. Bei Auftreten dieses Fehlers ist sofort der Netzschalter auszuschalten.

Papierauswurf Fehler:

Wenn das Papier nicht aus der Auswurfspalte ausgeworfen wird oder das rückzuführende Papier nicht wieder eingezogen wird, weist der Fehler-LED darauf hin. Wenn Sie die Vorschubtaste drücken, wird das Papier dann richtig weitergeführt.

Markierungsdetektionsfehler:

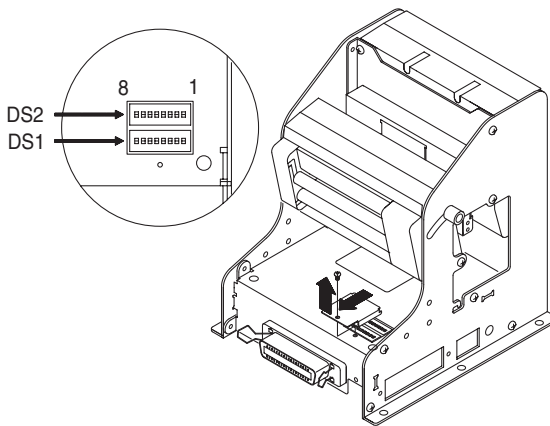
Keine schwarzen Markierungen erfassbar. Schalten Sie den Drucker aus und überprüfen Sie das Papier und die DIP-Schalter.

5. EINSTELLEN DER DIP-SCHALTER

5.1 Lage der DIP-Schalter

Die DIP-Schalter befindet sich auf der obere Seite des Druckers.
Nehmen Sie die Einstellungen nicht bei eingeschaltetem Drucker vor.

- 1 Schalten Sie den Drucker aus.
- 2 Lösen Sie die Schraube der Abdeckung der DIP-Schalter.
- 3 Schieben Sie die Abdeckung in Richtung des Pfeils, um sie zu öffnen.
- 4 Stellen Sie die DIP-Schalter ein.
- 5 Nach dem Einstellen legen Sie die Abdeckung zurück in die normale Lage und ziehen Sie die Schraube an.



ACHTUNG

- Der Rand der Abdeckung ist scharf, so dass bei unvorsichtiger Handhabung die Gefahr kleiner Verletzung an der Hand besteht. Seien Sie bitte vorsichtig.
- Die Größe der Schraube ist M2 × 3 mm. Verwenden Sie keine andere Schraube als Ersatz dafür. Falls die Schraube verloren geht, verwenden Sie eine Schraube angewiesener Größe, und nie eine längere Schraube.
- Beim Einstellen der DIP-Schalter schalten Sie unbedingt den Netzschalter aus. Die DIP-Schalter-Einstellung bei eingeschaltetem Drucker vorzunehmen kann Störungen verursachen.
- Verwenden Sie keine spitzen Gegenstände zum Einstellen.
- Bei normalem Betrieb schließen Sie immer die Abdeckung.

5.2 DIP-Schalter –Einstelltabelle

DIP-Schalter 1

Nr.	Funktion	ON	OFF	Werkeinstellung	
				Parallel	Seriell
1-1	Automatischer Papierschneider	Verfügbar	Nicht verfügbar	ON	
1-2	CR-Modus	LF-Betrieb	Ignoriert	OFF	
1-3	Bitlänge	7 Bit	8Bit	OFF 1)	
1-4	Kommunikationsmodus	XON/XOFF	DTR/DSR	OFF 1)	
1-5	Schnittstelle und Baud-Rate	Siehe nachstehende Tabelle I		OFF	ON
1-6				OFF	ON
1-7				OFF	ON
1-8				OFF	ON

1) Einstellbarkeit von Bitlänge und Kommunikationsmodus ist nur bei paralleler Schnittstelle verfügbar.

DIP-Schalter 2

Nr.	Funktion	ON	OFF	Werkeinstellung
2-1	Zeichencode	USA	Japan	OFF 2)
2-2	Papierabzieher	Nicht verfügbar	Verfügbar	OFF
2-3	Drucken bei Papier in der Auswurfspalte	Ja	Nein	OFF
2-4	PNE-Funktion	Nicht Verfügbar	Verfügbar	OFF 2)
2-5	Papier	Thermopapier mit schwarzen Markierungen	Thermopapier	OFF
2-6	Druckdichte	Siehe nachstehende Tabelle II		ON
2-7				OFF
2-8	Papierrückführung	Verfügbar	Nicht verfügbar	OFF

2) Länderabhängig

(1) Tabelle I Schnittstelle und Baud-Rate

DS1-8	DS1-7	DS1-6	DS1-5	Schnittstelle	Parität	Baud-Rate
OFF	OFF	OFF	OFF	Parallel	—	—
OFF	OFF	OFF	ON	Seriell	Keins	4,800 bps
OFF	OFF	ON	OFF	"	"	9,600 bps
OFF	OFF	ON	ON	"	"	19,200 bps
OFF	ON	OFF	OFF	"	"	38,400 bps
OFF	ON	OFF	ON	"	Ungerade Zahl	4,800 bps
OFF	ON	ON	OFF	"	"	9,600 bps
OFF	ON	ON	ON	"	"	19,200 bps
ON	OFF	OFF	OFF	"	"	38,400 bps
ON	OFF	OFF	ON	"	Gerade Zahl	4,800 bps
ON	OFF	ON	OFF	"	"	9,600 bps
ON	OFF	ON	ON	"	"	19,200 bps
ON	ON	OFF	OFF	"	"	38,400 bps
ON	ON	OFF	ON	"	Keins	4,800 bps
ON	ON	ON	OFF	"	"	9,600 bps
ON	ON	ON	ON	"	"	19,200 bps

(2) Tabelle II Druckdichte

Druckdichte	Stufe 1 (Hell)	Stufe 2 (Normal)	Stufe 3 (Schmätig-dunkel)	Stufe 4 (Dunkel)
DS2-6	OFF	ON	OFF	ON
DS2-7	OFF	OFF	ON	ON

Hinweis: Wenn eine Druckdichte höher als Stufe 2 gewählt wird, verringert sich möglicherweise die Druckgeschwindigkeit.

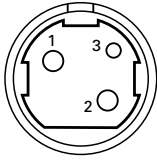
6. EXTERNES NETZTEIL

6.1 Technische Daten der Gleichstrombuchse

Hier sehen Sie die Stiftbelegung der Gleichstrombuchse, an die der Gleichstromstecker des externen Netzteils angeschlossen wird.

Stiftbelegung der Gleichstrombuchse

Nr.	Funktion
1	+24 V
2	GND
3	Nicht belegt
Gehäuse	Rahmenerde



Das Diagramm zeigt eine Draufsicht auf eine runde Gleichstrombuchse. Drei kreisförmige Kontakte sind im Inneren angeordnet und mit den Nummern 1, 2 und 3 beschriftet. Kontakt 1 befindet sich oben links, Kontakt 2 unten und Kontakt 3 oben rechts. Ein viertes Kontakt, das Gehäuse, ist durch die äußere Ringstruktur der Buchse dargestellt.

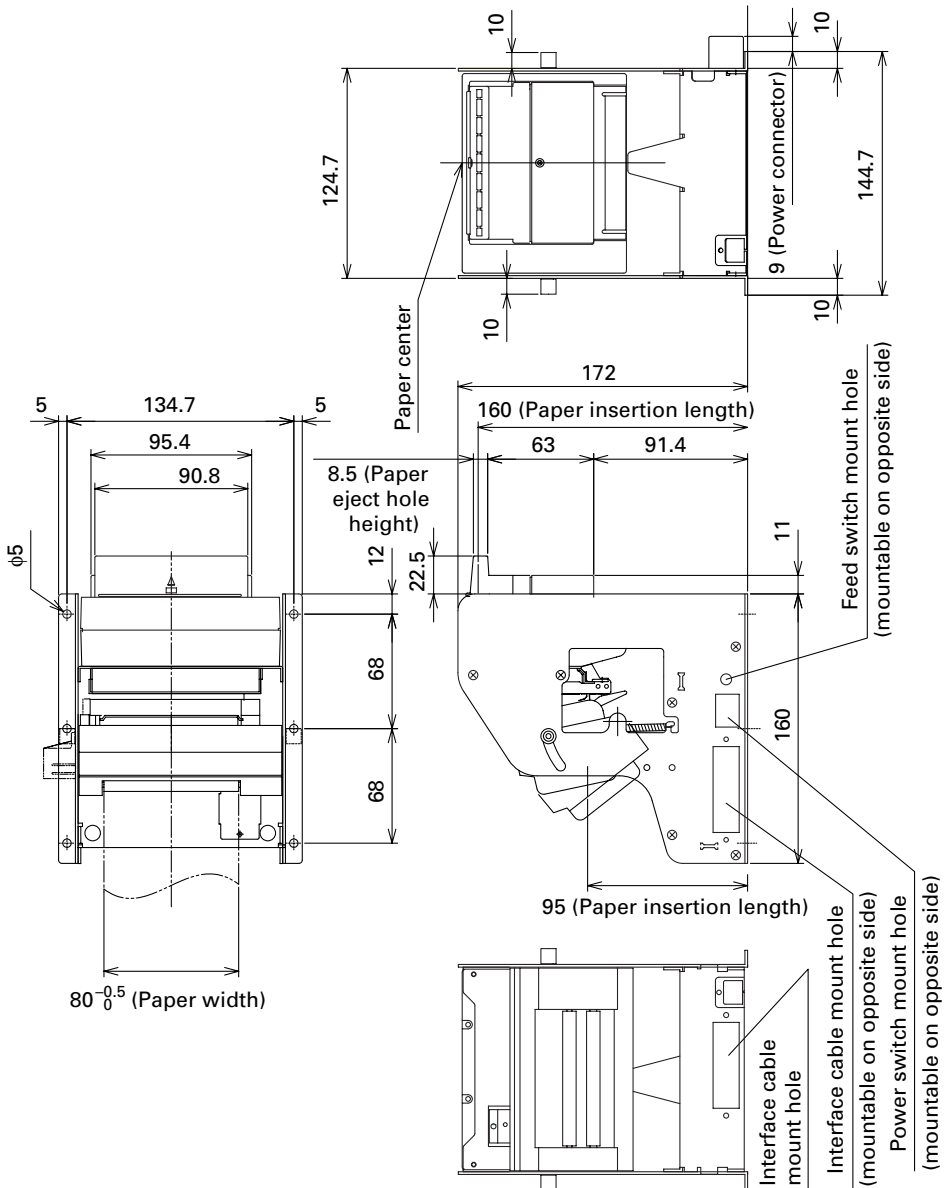
Verwendete Buchse: TCS7960-53-2010 (Hoshiden) oder äquivalent
Verwendbare Buchse: TCP8927-63-1100 (Hoshiden) oder äquivalent
TCP8927-53-1100 (Hoshiden) oder äquivalent

7. WARTUNG UND KUNDENDIENST

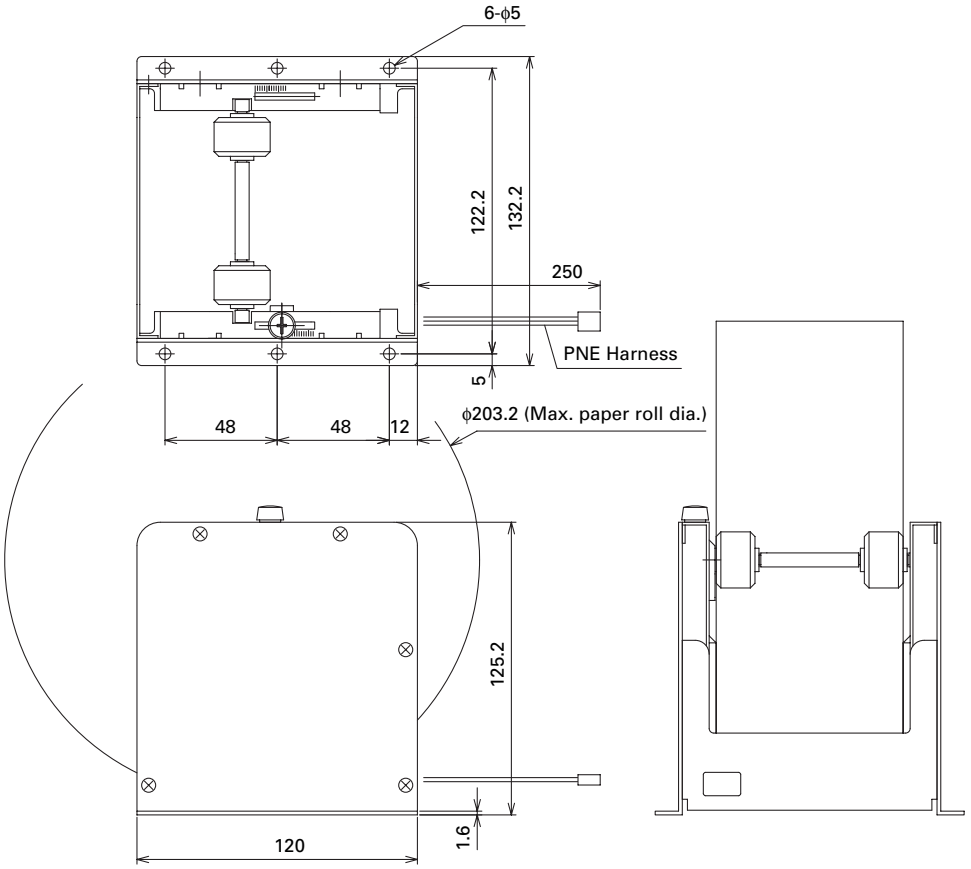
Für Informationen über Wartung und Kundendienst wenden Sie sich bitte an unseren Händler.

APPENDIX 1. OUTLINE DRAWING

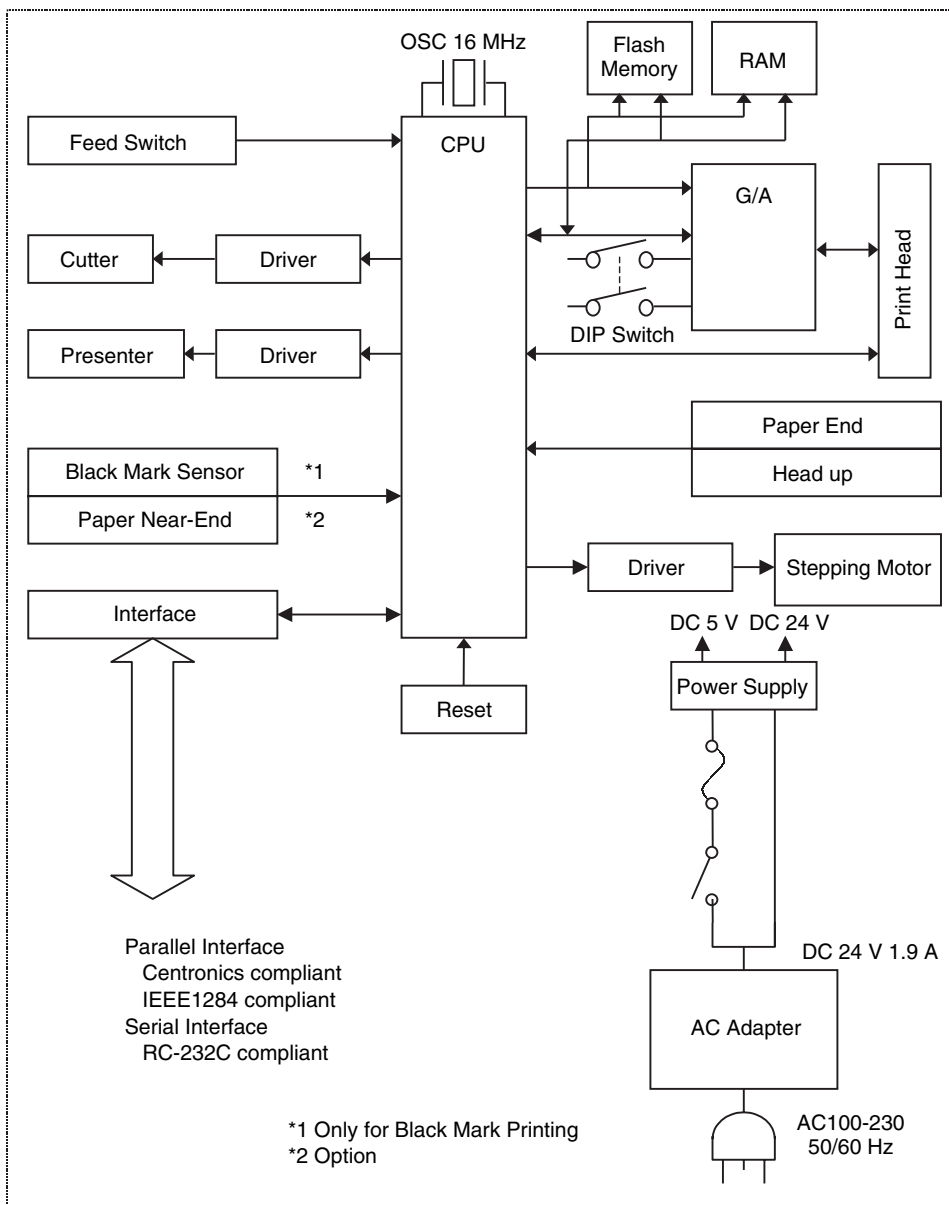
1. PPU-231



2. PHU-131



APPENDIX 2. BLOCK DIAGRAM



APPENDIX 3. IDENTIFICATION OF SEND STATUS

Because the status sent from the printer has certain fixed bits, it is possible to identify to which command the status belongs.

When using ASB (Automatic Status Back), however, the first byte of ASB should be checked, and then the three consecutive bytes except for XOFF should be treated as ASB data.

Identification of Send Status

Command and function	Status
GS l	<0**0****>B
GS r	<0**0****>B
XON	<00010001>B
XOFF	<00010011>B
DLE EOT	<0**1**10>B
ASB (1st byte)	<0**1**00>B
ASB (2nd – 4th bytes)	<0**0****>B

APPENDIX 4. PARALLEL INTERFACE

1 Bidirectional Parallel Interface (IEEE1284)

1.1 Compatibility Mode (Host → Printer communication: Centronics compliant)

(1) General description

This printer provides Compatibility Mode, which specifies the Centronics interface conventionally used for a wide variety of applications.

(2) Specifications

Data transfer method: 8 bit parallel
 Synchronizing method: Controlled by nStrobe signal externally supplied
 Handshaking: Handled by nAck and Busy signals
 Signal level: All signals are TTL compatible

1.2 Reverse Mode (Printer → Host communication)

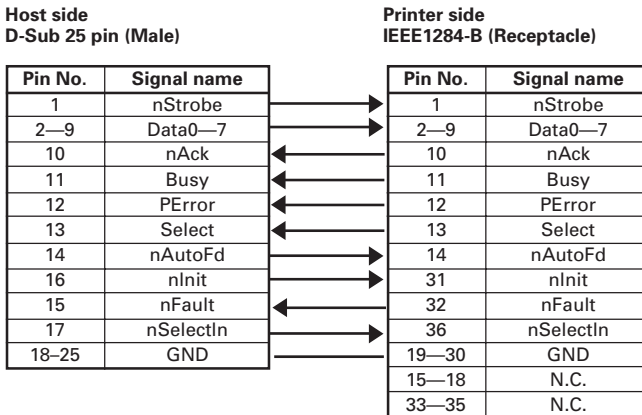
Data transfer from the printer to the host computer is conducted in Nibble or Byte Mode.

(1) Outline

The reverse mode has been devised to handle data transfer from an asynchronous printer controlled by a host computer.

In Nibble Mode, data is transferred, 4 bits (a nibble) at a time, using traditional control lines. In Byte Mode, data is transferred by making 8 bit data lines bidirectional. Note that either mode cannot work simultaneously with Compatibility Mode, thus resulting in half-duplex transmission.

2. Connector Pin Assignments



3. Connector Pin Configuration

Pin	Source	Compatibility Mode	Nibble Mode	Byte Mode
1	Host	nStrobe	HostClk	HostClk
2	Host/Ptr	Data0(LSB)	Data0(LSB)	Data0(LSB)
3	Host/Ptr	Data1	Data1	Data1
4	Host/Ptr	Data2	Data2	Data2
5	Host/Ptr	Data3	Data3	Data3
6	Host/Ptr	Data4	Data4	Data4
7	Host/Ptr	Data5	Data5	Data5
8	Host/Ptr	Data6	Data6	Data6
9	Host/Ptr	Data7	Data7	Data7
10	Printer	nAck	PtrClk	PtrClk
11	Printer	Busy	PtrBusy/Data3.7	PtrBusy
12	Printer	PEError	AckDataReq/Data2.6	AckDataReq
13	Printer	Select	Xflag/Data1.5	Xflag
14	Host	nAutoFd	HostBusy	HostBusy
15		NC	ND	ND
16		GND	GND	GND
17		FG	FG	FG
18	Printer	Logic-H	Logic-H	Logic-H
19–30		GND	GND	GND
31	Host	Init	Init	Init
32	Printer	nFault	nDataAvail/Data0.4	nDataAvail
33	GND	GND	ND	ND
34	Printer	NC	ND	ND
35	Printer	+5V	ND	ND
36	Host	nSelectIn	1284-Active	1284-Active

NC: Not Connected ND: Not Defined

Applicable connectors: Printer side: 57LE-40360 (Amphenol or equivalent)
Cable side: 57-30360 (Amphenol or equivalent)



CAUTION

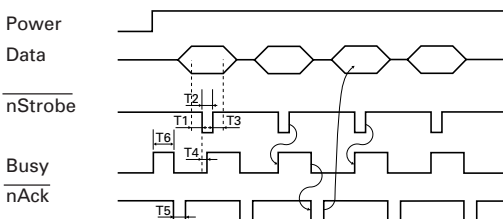
- The first letter “n” of each signal name indicates that the signal is active “L”. If any one of the above signals is not available, bidirectional communication cannot be accomplished.
- In interfacing signals, be sure to use twist-paired wires for signal lines, and the return side must be connected to signal ground level. All interfacing conditions are specified based on C-MOS level and must satisfy the following characteristics. Also, specify the rising and falling time of each signal as 0.5 μ s.
- Avoid transferring data by ignoring nAck or Busy signal; otherwise, the data may be erased. Make the interface cables as short as necessary.

4. Electrical Characteristics

4.1 Input and output conditions

All the input signals, DATA 0-7, are each pulled up with 50 K Ω resistor, and the other input signals are each pulled up with a 3.3 K Ω resistor. The +5 V signal is pulled up through a 3.3 K Ω resistor.

4.2 Timing Chart (Compatibility Mode)



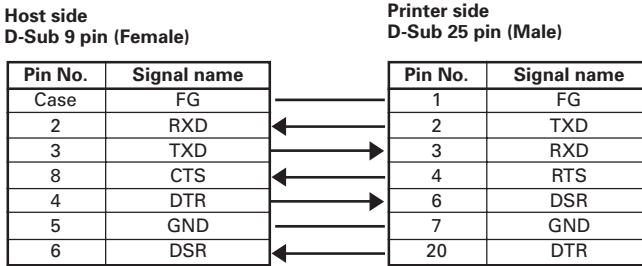
T1, T2, T3: 0.5 μ s MIN
T4: 270 ns MAX
T5: 2.3 μ s TYP
T6: 500 ms MIN (At power-on)

APPENDIX 5. SERIAL INTERFACE

1 Specifications

- (1) Synchronizing system: Asynchronous
- (2) Baud rate : 4800, 9600, 19200 or 38400 bps (User selectable)
- (3) Configuration of one word
 - Start bit: 1 bit
 - Data bits: 7 or 8 bits (User selectable)
 - Parity bit: Odd, even, or none (User selectable)
 - Stop bit: 1 bit or more
 - Transmission control: DTR/DSR or XON/XOFF control (User selectable)

2 Connector Pin Assignments



3. Connector Pin Configuration

NO.	Signal name	I/O	Function
1	FG		Grounding for safety (Case ground)
2	TD	Output	Transferred data
3	RD	Input	Received data
4	RTS	Output	Same as DTR
6	DSR	Input	Data set ready or reset
7	GND		Ground for signals (Common ground on the circuit)
20	DTR	Output	Printer Busy signal
25	INIT	Input	Reset

Applicable connectors (D-Sub connectors)

- Printer side: 17LE-13250 (DDK or equivalent)
- Cable side: 17JE-23250 (DDK or equivalent)



CAUTION

- Signals for RS-232C are specified based on EIA RS-232C.
- While data is not being transferred, be sure to maintain the received data in a mark state.

4. Electrical Characteristics

4.1 In/output signals

(1) RD

When a framing error, overrun error or parity error occurs, the data containing the error is printed as a "?".

(2) DSR

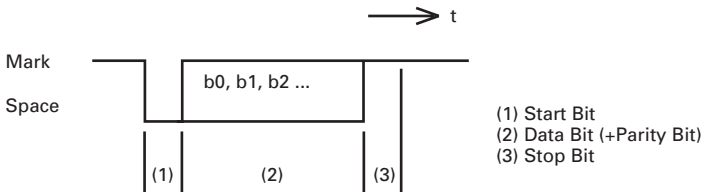
If the DTR/SDR control is selected, the host sends data to the printer after it confirms that the DSR line is at space. If the XON/XOFF control is selected, the host sends data to the printer by ignoring the DSR signal status.

(3) INIT

This signal can be used as a reset signal after switching the DIP switches. When the pulse width of the signal is 1 ms or longer in space state, a reset will be applied.

* Mark=logical "1" (-3 V to -12 V) * Space=logical "0" (+3 V to +12 V)

4.2 Data Configuration



Data status is read again 1/2 bit time after the falling edge of mark to space transition. If a space is detected, the data is recognized as a start bit. If a space is not detected, the data is not recognized as a start bit, and attempt is made again to detect a start bit.

The data is sampled 1 bit time after the start bit is detected.

Data bits are arranged in the order of bit 0, bit 1, bit 2, ..., and (stop bit), from the start bit toward stop bit.

APPENDIX 6. CONTROL COMMAND

For details on each command, see the command reference.

Command List

Print execution commands

Command	Code	Function	Mode	GS P
LF	0AH	Printing and paper feed	S/P	
CR	0DH	Printing in PAGE MODE and returning to STANDARD MODE	S/P	
FF	0CH	Printing in PAGE MODE and returning to STANDARD MODE/Printing and paper feeding to the top of the Label (Black mark position)	P	
ESC FF	1BH 0CH	Printing data in PAGE MODE	P	
ESC J	1BH 4AH n	Printing and feeding paper	S/P	
ESC d	1BH 64H n	Printing and feeding the paper by "n" lines	S/P	

Print character commands

Command	Code	Function	Mode	GS P
CAN	18H	Canceling print data in PAGE MODE	P	
ESC SP	1BH 20H n	Setting the right spacing of the character	S/P	*
ESC !	1BH 21H n	Collectively specifying the printing mode to STANDARD MODE	S/P	
ESC %	1BH 25H n	Specifying/canceling download character set	S/P	
ESC &	1BH 26H s n m [a p()]k	Defining the download characters	S/P	
ESC -	1BH 2DH n	Specifying/canceling underline	S/P	
ESC ?	1BH 3FH n	Deleting download characters	S/P	
ESC E	1BH 45H n	Specifying/canceling emphasis printing	S/P	
ESC G	1BH 47H n	Specifying/canceling double strike printing	S/P	
ESC M	1BH 4DH n	Selection of character fonts	S/P	
ESC R	1BH 52H n	Selecting the international character set	S/P	
ESC V	1BH 56H n	Specifying/canceling 90°-right-turned characters	S	
ESC t	1BH 74h n	Selecting the character code table	S/P	
ESC {	1BH 7BH n	Specifying/canceling the inverted characters	S	
GS !	1DH 21H n	Specifying the character size	S/P	
GS B	1DH 42H n	Specifying/canceling the black/white inverted printing	S/P	

Print position commands

Command	Code	Function	Mode	GS P
HT	09H	Horizontal tab	S/P	
ESC \$	1BH 24H nL nH	Specifying the absolute positions	S/P	*
ESC D	1BH 44H []k 0	Setting horizontal tab position	S/P	
ESC T	1BH 54H n	Selecting the character printing direction in PAGE MODE	P	
ESC W	1BH 57H xL xH yL yH dxL dxH dyL dyH	Defining the print area in PAGE MODE	P	*
ESC \	1BH 5CH nL nH	Specifying the relative position	S/P	*
ESC a	1BH 61H n	Aligning the characters	S/P	
GS \$	1DH 24H nL nH	Specifying the absolute vertical position of characters in PAGE MODE	P	*
GS L	1DH 4CH nL nH	Setting the left margin	S	*
GS W	1DH 57H nL nH	Setting the print area width	S/P	*
GS \	1DH 5CH nL nH	Specifying the relative vertical position of a character in PAGE MODE	S/P	*

Line feed span commands

Command	Code	Function	Mode	GS P
ESC 2	1BH 32H	Specifying initial line feed span	S/P	
ESC 3	1BH 33H n	Setting line feed span of minimum pitch	S/P	*

Bit image commands

Command	Code	Function	Mode	GS P
ESC *	1BH 2AH m n1 n2 []k	Specifying the bit image mode	S/P	
GS *	1DH 2AH n1 n2 n1 n2 []k	Defining the download bit image	S/P	
GS /	1DH 2FH m	Printing the downloaded bit image	S/P	
GS v 0	1DH 76H 30H m xL xH yL yH []k	Printing of raster bit image	S	

Status commands

Command	Code	Function	Mode	GS P
DLE EOT	10H 04H n	Sending status in real-time	S/P	
GS a	1DH 61H n	Enabling/disabling ASB (Automatic Status Back)	S/P	
GS r	1DH 72H n	Sending status	S/P	

Paper detection commands

Command	Code	Function	Mode	GS P
ESC c 3	1BH 63H 33H n	Selecting the paper sensor valid for paper end signal output	S/P	
ESC c 4	1BH 63H 34H n	Selecting the Paper-Near End Sensor valid for print stop	S/P	
ESC n	1BH 6EH n	Setting the remaining amount of print out	S/P	

Panel switch command

Command	Code	Function	Mode	GS P
ESC c 5	1BH 63H 35H n	Enabling/disabling the panel switches	S/P	

Macro commands

Command	Code	Function	Mode	GS P
GS :	1DH 3AH	Starting/ending macro definition	S/P	
GS ^	1DH 5EH n1 n2 n3	Executing the macro	S/P	

Cutter command

Command	Code	Function	Mode	GS P
GS V	(1)1DH 56H m (2)1DH 56H m n	Cutting the paper	S/P	*

Bar code commands

Command	Code	Function	Mode	GS P
GS H	1DH 48H n	Selecting of printing position of HRI characters	S/P	
GS f	1DH 66H n	Selecting the font of HRI characters	S/P	
GS h	1DH 68H n	Specifying the height of the bar code	S/P	
GS k	(1) 1DH 6BH m []k 0 (2) 1DH 6BH m n []k	Printing the bar code	S/P	
GS w	1DH 77H n	Specifying the horizontal size of bar code	S/P	

Flash memory commands

Command	Code	Function	Mode	GS P
FS g 3	1CH 67H 33H a1 a2 a3 a4 nL nH []k	Writing data into the flash memory	S	
FS g 4	1CH 67H 34H a1 a2 a3 a4 nL nH	Reading data into the flash memory	S	
FS p	1CH 70H n m	Printing the flash memory bit images	S	
FS q	1CH 71H n []kn	Defining the flash memory bit images	S	

Black mark control commands

Command	Code	Function	Mode	GS P
GS A	1DH 41H m n	Correcting the position of black mark top position	S/P	
GS S	1DH 53H	Detecting a black mark	S/P	

Receipt collection control commands

Command	Code	Function	Mode	GS P
GS R 0	1DH 52H 30H 00H	Collecting receipts	S/P	
GS R 1	1DH 52H 31H n	Setting receipt collection timer	S/P	

Other commands

Command	Code	Function	Mode	GS P
DLE ENQ	10H 05H n	Real-time request to printer	S/P	
ESC =	1BH 3DH n	Data input control	S/P	
ESC @	1BH 40H	Initializing the printer	S/P	
ESC L	1BH 4CH	Selecting PAGE MODE	S	
ESC S	1BH 53H	Selecting STANDARD MODE	P	
GS (A	1DH 28H 41H pL pH n m	Execution of test printing	S	
GS I	1DH 49H n	Sending the printer ID	S/P	
GS P	1DH 50H x y	Specifying the basic calculation pitch	S/P	

• In the Mode column: S = STANDARD MODE, P = PAGE MODE

* shows the command affected by GS P.

CITIZEN SYSTEMS JAPAN CO.,LTD.

6-1-12, TANASHI-CHO, NISHI-TOKYO-SHI, TOKYO 188-8511, JAPAN

Tel: +81-424-68-4608 Fax: +81-424-68-4996